

Villa Door Station

Quick Start Guide








Foreword

General

This manual introduces the installation, functions and operations of the Villa Door Station (hereinafter referred to as "the VTO"). Read carefully before using the device, and keep the manual safe for future reference.

Safety Instructions

The following signal words might appear in the manual.

Signal Words	Meaning
 DANGER	Indicates a high potential hazard which, if not avoided, will result in death or serious injury.
 WARNING	Indicates a medium or low potential hazard which, if not avoided, could result in slight or moderate injury.
 CAUTION	Indicates a potential risk which, if not avoided, could result in property damage, data loss, reductions in performance, or unpredictable results.
 TIPS	Provides methods to help you solve a problem or save time.
 NOTE	Provides additional information as a supplement to the text.

Revision History

Version	Revision Content	Release Time
V1.0.1	Added bracket installation.	June 2022
V1.0.0	First Release.	December 2021

Privacy Protection Notice

As the device user or data controller, you might collect the personal data of others such as their face, fingerprints, and license plate number. You need to be in compliance with your local privacy protection laws and regulations to protect the legitimate rights and interests of other people by implementing measures which include but are not limited: Providing clear and visible identification to inform people of the existence of the surveillance area and provide required contact information.

About the Manual

- The manual is for reference only. Slight differences might be found between the manual and the product.
- We are not liable for losses incurred due to operating the product in ways that are not in compliance with the manual.

- The manual will be updated according to the latest laws and regulations of related jurisdictions. For detailed information, see the paper user's manual, use our CD-ROM, scan the QR code or visit our official website. The manual is for reference only. Slight differences might be found between the electronic version and the paper version.
- All designs and software are subject to change without prior written notice. Product updates might result in some differences appearing between the actual product and the manual. Please contact customer service for the latest program and supplementary documentation.
- There might be errors in the print or deviations in the description of the functions, operations and technical data. If there is any doubt or dispute, we reserve the right of final explanation.
- Upgrade the reader software or try other mainstream reader software if the manual (in PDF format) cannot be opened.
- All trademarks, registered trademarks and company names in the manual are properties of their respective owners.
- Please visit our website, contact the supplier or customer service if any problems occur while using the device.
- If there is any uncertainty or controversy, we reserve the right of final explanation.

Important Safeguards and Warnings

This section introduces content covering the proper handling of the device, hazard prevention, and prevention of property damage. Read carefully before using the device, and comply with the guidelines when using it.

Operation Requirements



- Check whether the power supply is correct before use.
- Do not unplug the power cord on the side of the device while the adapter is powered on.
- Operate the device within the rated range of power input and output.
- Transport, use and store the device under allowed humidity and temperature conditions.
- Do not drop or splash liquid onto the device, and make sure that there is no object filled with liquid on the device to prevent liquid from flowing into it.
- Do not disassemble the device without professional instruction.

Installation Requirements

**WARNING**

- Do not connect the power adapter to the device while the adapter is powered on.
- Strictly comply with the local electric safety code and standards. Make sure the ambient voltage is stable and meets the power supply requirements of the device.
- Do not connect the device to two or more kinds of power supplies, to avoid damage to the device.
- Improper use of the battery might result in a fire or explosion.

**WARNING**

- Personnel working at heights must take all necessary measures to ensure personal safety including wearing a helmet and safety belts.
- Do not place the device in a place exposed to sunlight or near heat sources.
- Keep the device away from dampness, dust, and soot.
- Install the device on a stable surface to prevent it from falling.
- Install the device in a well-ventilated place, and do not block its ventilation.
- Use an adapter or cabinet power supply provided by the manufacturer.
- Use the power cords that are recommended for the region and conform to the rated power specifications.
- The power supply must conform to the requirements of ES1 in IEC 62368-1 standard and be no higher than PS2. Please note that the power supply requirements are subject to the device label.
- The device is a class I electrical appliance. Make sure that the power supply of the device is connected to a power socket with protective earthing.

Table of Contents

Foreword	I
Important Safeguards and Warnings	III
1 Structure	1
1.1 Villa Door Station (multiple buttons).....	1
1.1.1 Front Panel	1
1.1.2 Rear Panel	2
1.2 Villa Door Station (single button).....	3
1.2.1 Front Panel	3
1.2.2 Rear Panel	4
1.3 Button Model.....	6
1.3.1 Front Panel	6
1.3.2 Rear Panel	7
2 Installation	9
2.1 Preparations	9
2.2 Installation Guide.....	9
2.2.1 Villa Door Station (multiple buttons).....	9
2.2.2 Villa Door Station (single button).....	10
2.2.3 Button Model.....	13
3 Configuration	15
3.1 Initializing VTO	15
3.1.1 Web	15
3.1.2 DMSS APP	17
3.2 Configuring Network Parameters	21
3.3 Configuring SIP Servers	22
3.4 Configuring VTO Numbers	23
3.5 Configuring Call Numbers and Group Call	23
3.6 Adding VTOs	24
3.7 Adding VTH Room Number	26
3.8 Binding VTH Room Numbers (For Certain Models Only)	27
3.9 Issuing Cards.....	29
4 Commissioning	32
4.1 VTO Calling VTH.....	32
4.2 VTH Monitoring VTO.....	32
Appendix 1 Cybersecurity Recommendations	34

1 Structure

1.1 Villa Door Station (multiple buttons)

1.1.1 Front Panel

Figure 1-1 Front panel

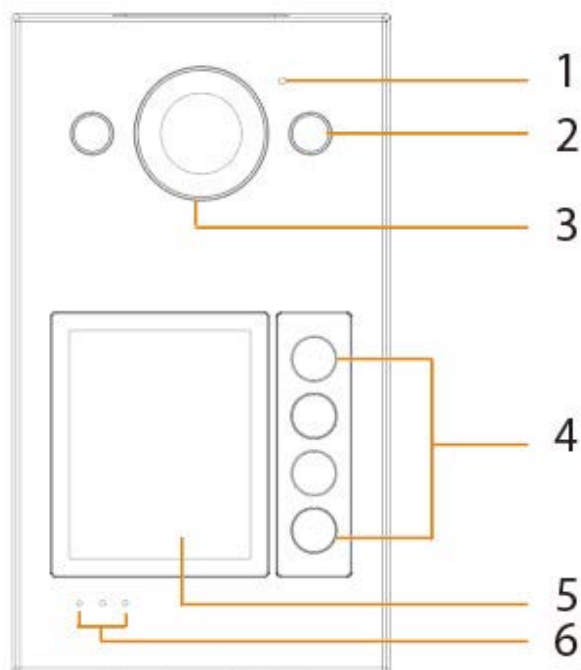


Table 1-1 Components

No.	Name	Function
1	MIC	Audio input.
2	Illuminator	Provide a constant light to focus more easily on a subject in dark surroundings.
3	Camera	Capture images or record videos for the VTO.
4	Call buttons	Call the VTH.
5	Card swiping area	Swipe the registered cards to unlock doors.
6	Indicators	From left to right: <ul style="list-style-type: none"> • Ring: VTO is calling the VTH. • Talking: VTO is on the talk with the VTH. • Unlocking: VTO unlocking successful.

1.1.2 Rear Panel



The function ports might differ depending on the model.

Figure 1-2 Rear panel

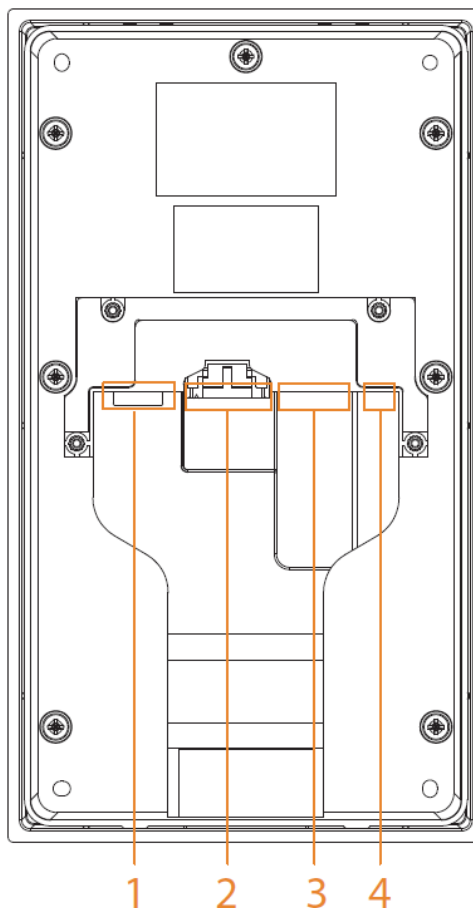


Table 1-2 Components

No.	Name	Function
1	SD card slot	Used to insert SD card so that data information such as images and videos can be stored.
2	Functional ports	Alarm port, door detector port, 485 port, power port and etc.
3	Network port	RJ-485 network port to connect to the network.
4	Reset button	Press and hold the button for several seconds to do factory reset.

1.2 Villa Door Station (single button)

1.2.1 Front Panel

There are different models with different front panel. Differences in size and appearance are found depending on your model.

Figure 1-3 Front panel

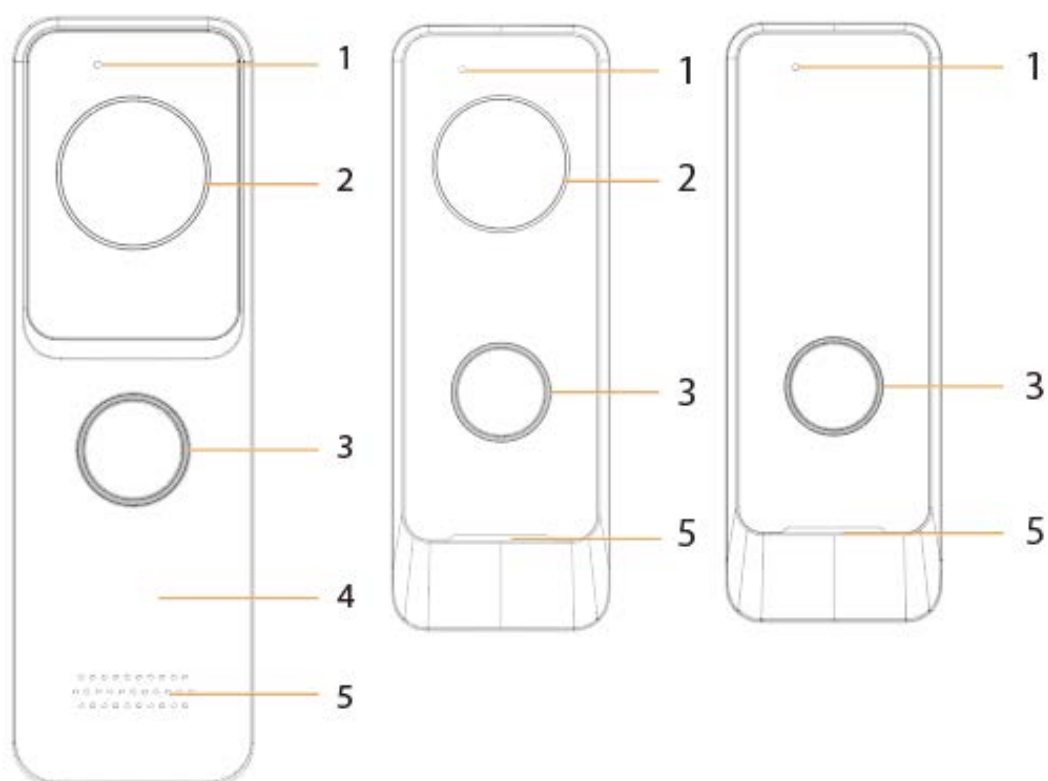



Table 1-3 Components

No.	Name	Function
1	MIC	Audio input.
2	Camera	Capture images or record videos for the VTO.
3	Call button	Call the VTH.
4	Card swiping area	Swipe the registered cards to unlock doors.  The card swiping function is only supported by some models.
5	Speaker	Audio output.

1.2.2 Rear Panel



The function ports might differ depending on the model. Here are two models used as examples.

Figure 1-4 Rear panel (1)

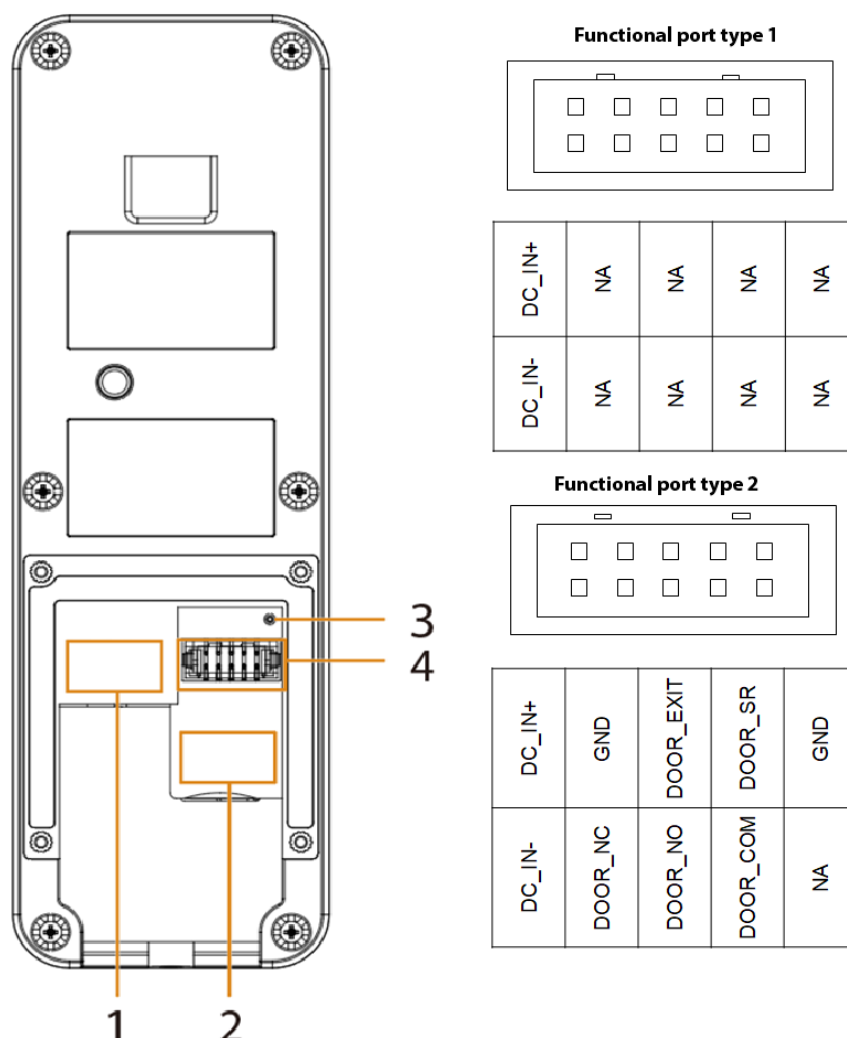


Table 1-4 Components

No.	Name	Function
1	Network port	Used to connect to the network.
2	SD card slot	Used to insert SD card so that data information such as images and videos can be stored.
3	Reset button	Press and hold the button for several seconds to do factory reset.
4	Functional port	<ul style="list-style-type: none"> Type 1: The functional port only has a power input port to connect to power supply. Type2: The functional port includes a power input port and a door detector port.

Figure 1-5 Rear panel (2)

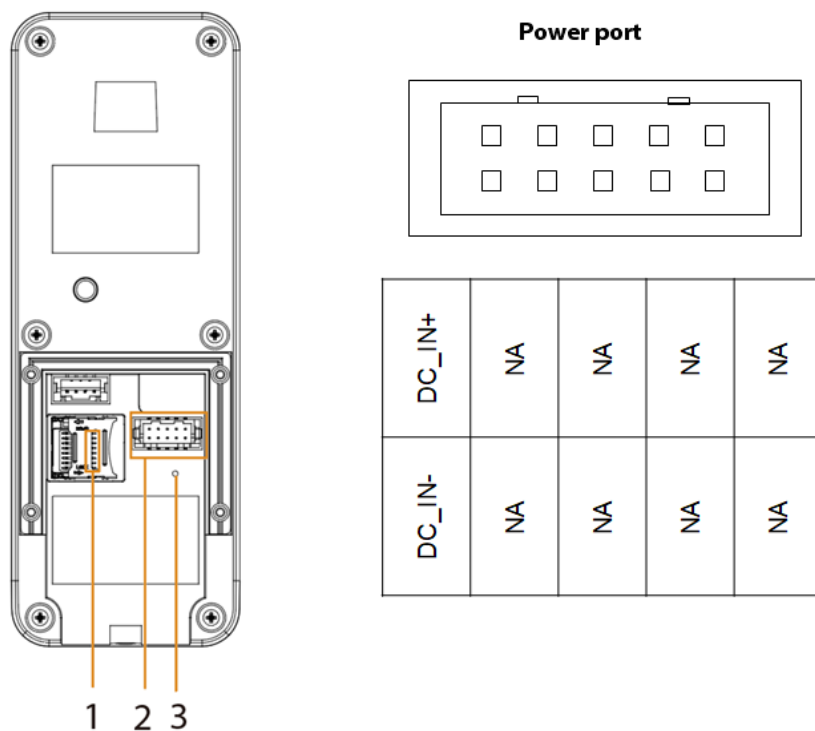


Table 1-5 Components

No.	Name	Function
1	SD card slot	Used to insert SD card so that data information such as images and videos can be stored.
2	Power port	Used to connect to the power supply.
3	Reset button	Press and hold the button for several seconds to do factory reset.

1.3 Button Model

1.3.1 Front Panel

Figure 1-6 Front panel

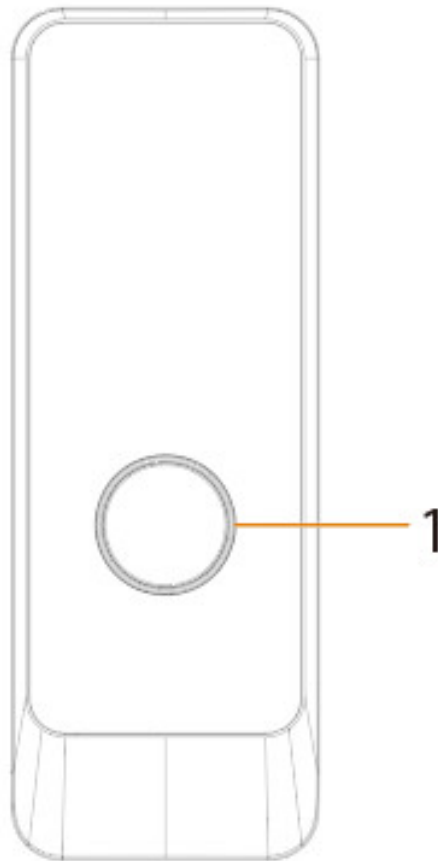


Table 1-6 Components

No.	Name	Function
1	Press button	The button model can be connected to the VTH. Press the button on the model and the VTH receives an alarm signal.

1.3.2 Rear Panel

Figure 1-7 Rear panel

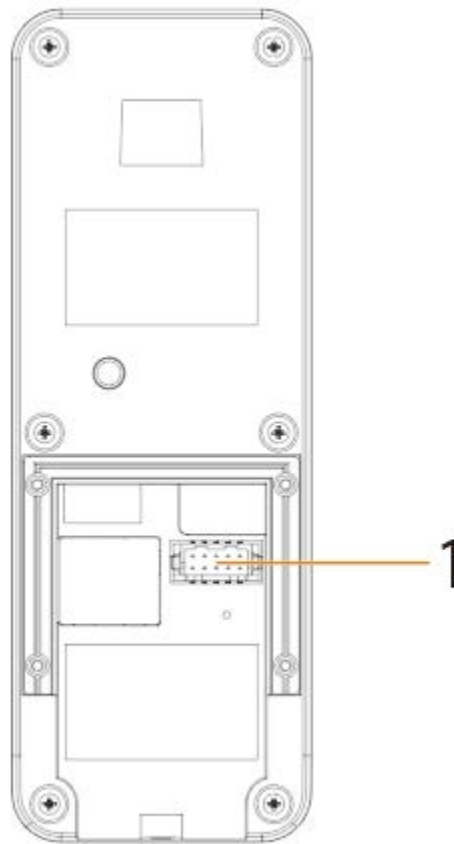
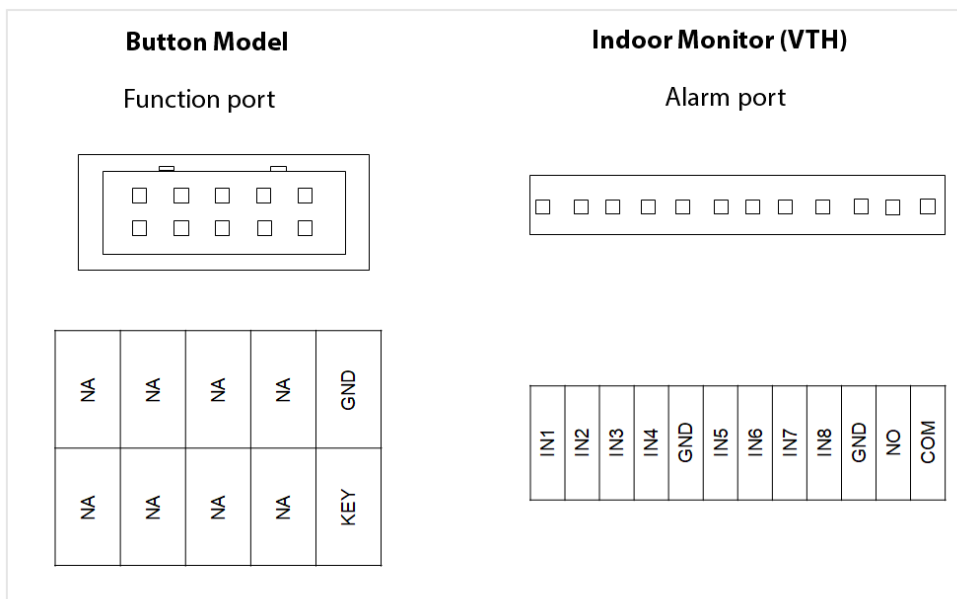


Table 1-7 Components

No.	Name	Function
1	Function port	Used for alarm input.

Table 1-8 Cable connection



Connect the KEY port of the button model to any one of the alarm input ports of the indoor monitor (VTH) with a cable thread. After that, tap **Setting > Alarm > Wired Zone** on the VTH and set the **Type** of the alarm input port you chose to connect to the KEY port as **Doorbell**.

2 Installation

2.1 Preparations

This chapter introduces precautions in installation. For detailed steps, see the corresponding installation guide.

- Do not expose the VTO to condensation, high temperature, direct sunlight, stain, dust, and chemically corrosive substances.
- Installation should be done by professional teams. Do not dismantle or repair the VTO by yourself in case of device failure. Contact after-sales service if you need any help.
- Prepare cross screwdrivers and gloves yourself.
- The recommended installation height of the VTO should be no more than 2 m from the ground.

2.2 Installation Guide

2.2.1 Villa Door Station (multiple buttons)

- Step 1 Open the port cover of the VTO, drill screw holes on the wall according to the dimension of the mounting hole on the rear panel of the VTO, and put the expansion bolts into the holes.
- Step 2 Complete the cable wiring.
- Step 3 Fix the port cover to the rear panel of the VTO with four screws.
- Step 4 Fix the bare VTO on the wall with four screws.
- Step 5 Install the mount box on the VTO from top to the bottom, and then fix it with two screws.
- Step 6 Fix the rain over on the top of the VTO with two screws.

Figure 2-1 Dimension (mm [inch])

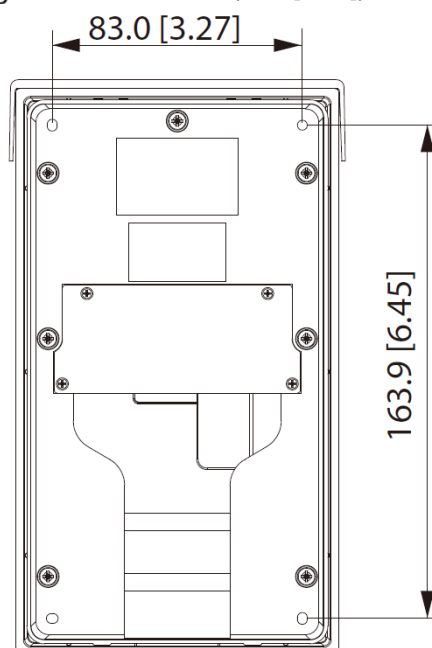
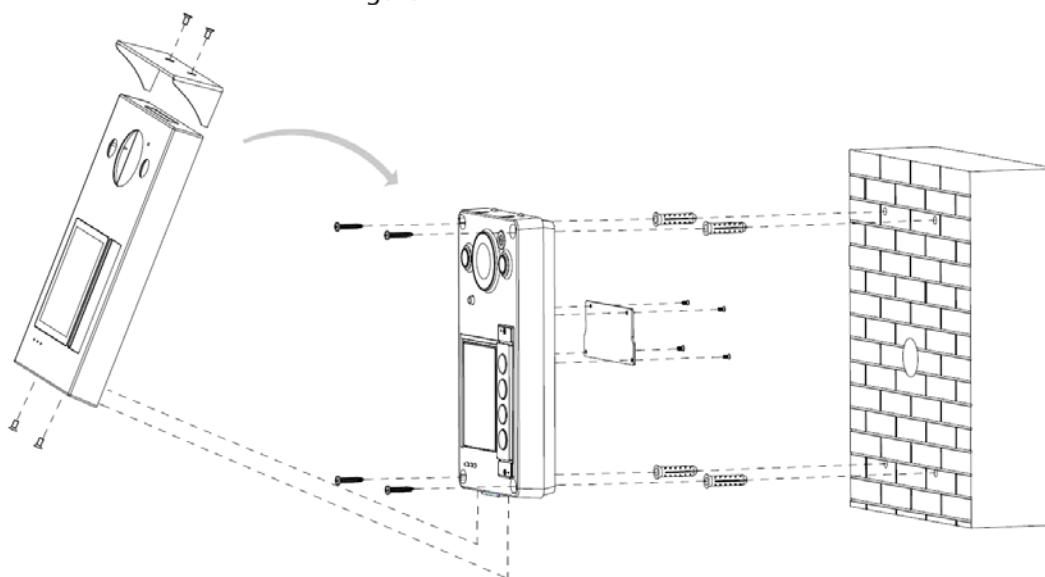


Figure 2-2 Installation



If you do not want to install the rain cover, you could use the sticker included in the package to cover the screw hole.

2.2.2 Villa Door Station (single button)

Here are examples of two model's installation, depending on differences in model dimensions.

Model Example 1

Step 1 Open the port cover of the VTO, drill screw holes on the wall according to the dimension of the mounting hole on the rear panel of the VTO.

Step 2 Complete the cable wiring.

Step 3 Fix the port cover or the bracket to the rear panel of the VTO with four screws.



You can use either the port cover or the bracket to mount the VTO, based on your own needs.

Step 4 Fix the VTO on the wall with screws.

Figure 2-3 Dimension (mm [inch])

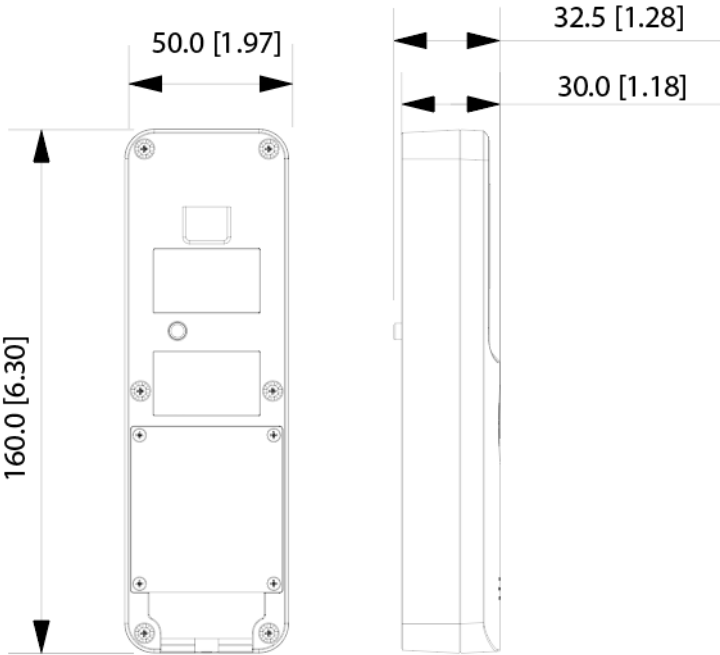


Figure 2-4 Installation (cover port)

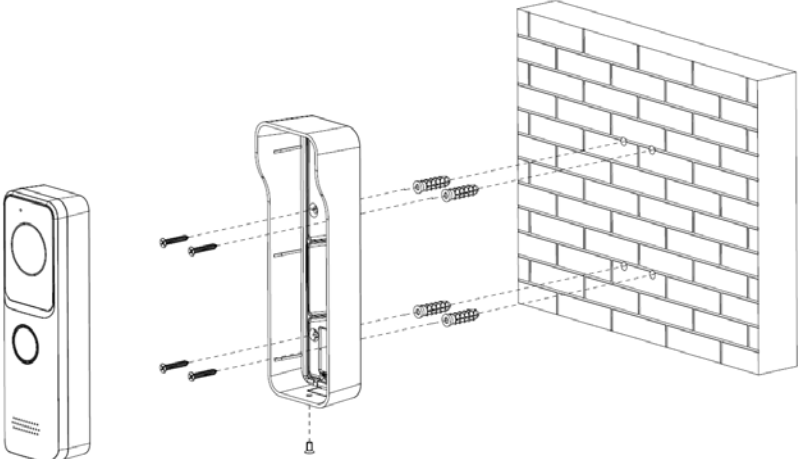
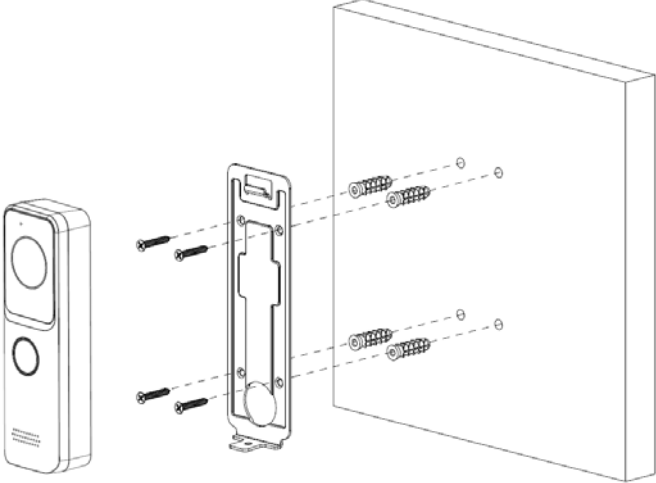


Figure 2-5 Installation (bracket)



Model Example 2

Step 1 Open the port cover of the VTO, drill screw holes on the wall according to the dimension of the mounting hole on the rear panel of the VTO.

Step 2 Complete the cable wiring.

Step 3 Fix the port cover or the bracket to the rear panel of the VTO with four screws.



You can use either the port cover or the bracket to mount the VTO, based on your own needs.

Step 4 Fix the VTO on the wall with screws.

Figure 2-6 Dimension (mm [inch])

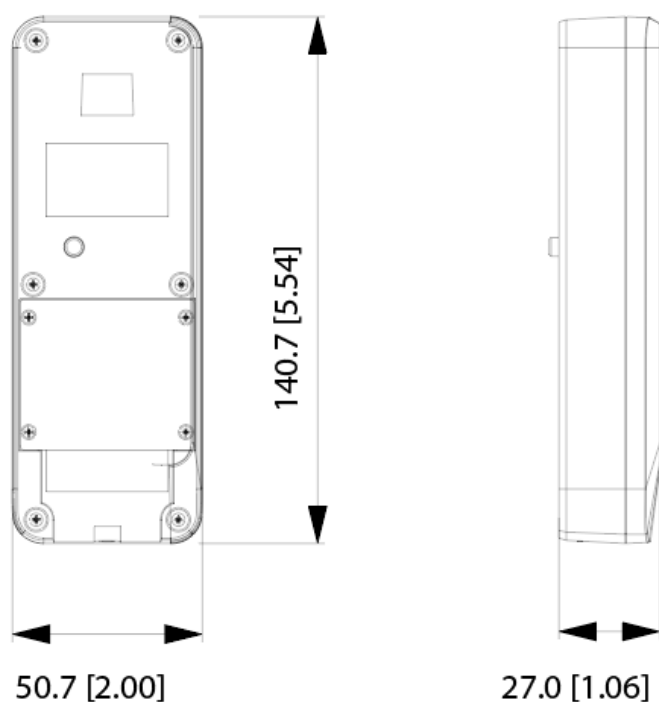


Figure 2-7 Installation (port cover)

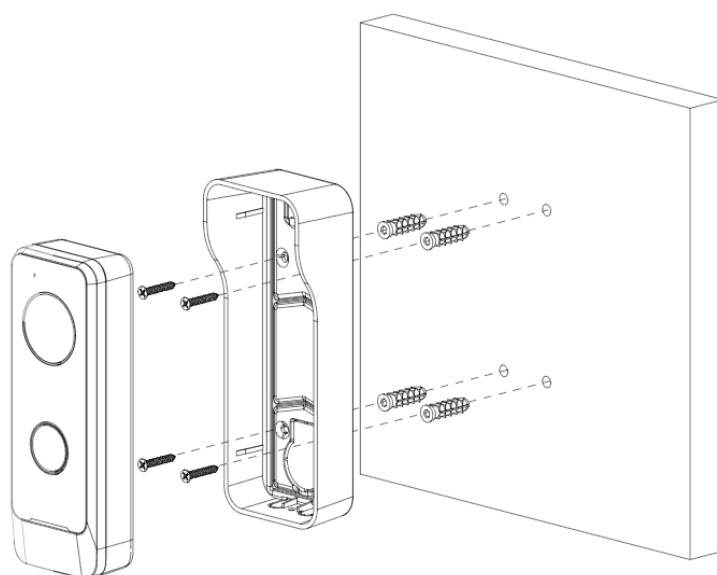
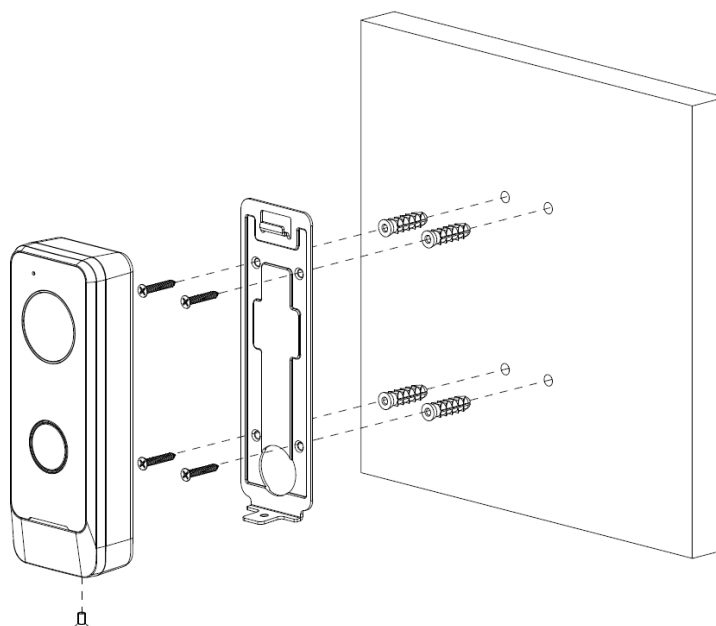


Figure 2-8 Installation (bracket)



2.2.3 Button Model

Step 1 Open the port cover of the button model, drill screw holes on the wall according to the dimension of the mounting hole on the rear panel of the button model.

Step 2 Complete the cable wiring.

Step 3 Fix the port cover or bracket to the rear panel of the button model with four screws.



You can use either the port cover or the bracket to mount the VTO, based on your own needs.

Step 4 Fix the button model on the wall with screws.

Figure 2-9 Dimension (mm [inch])

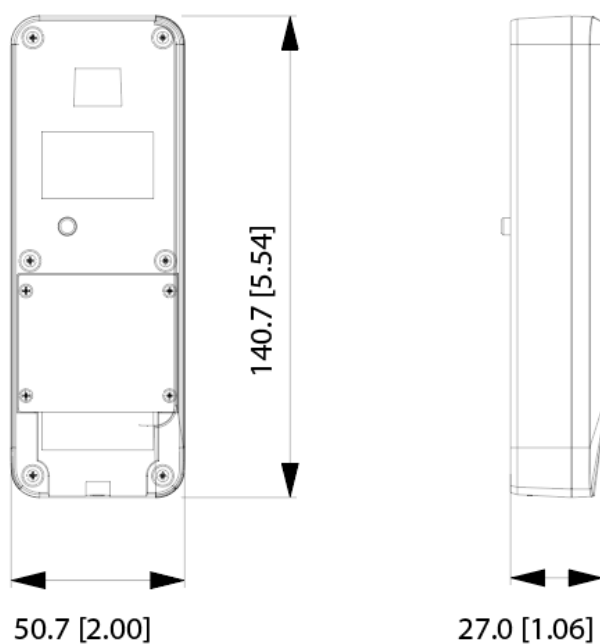


Figure 2-10 Installation (port cover)

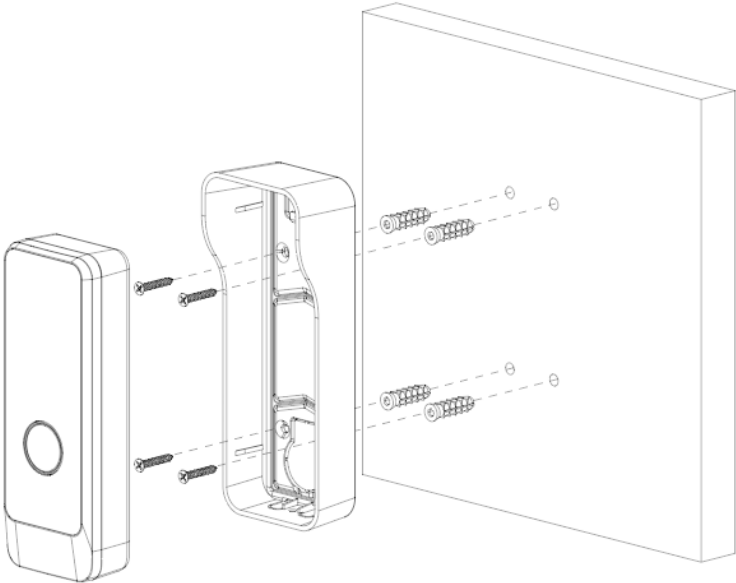
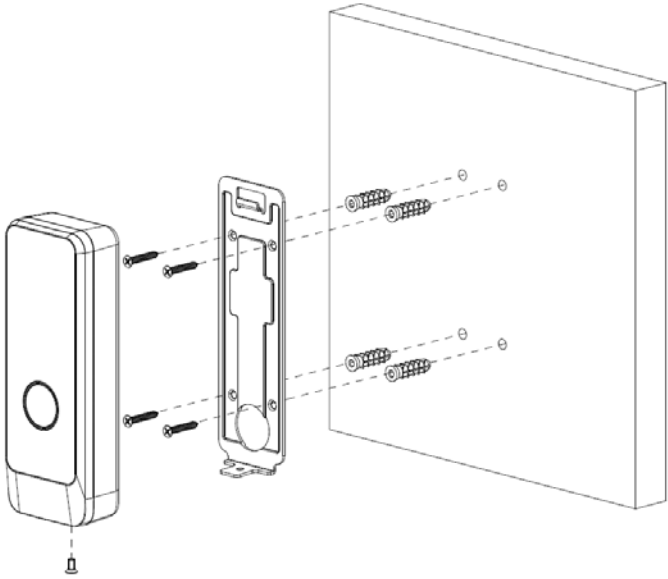


Figure 2-11 Installation (bracket)



3 Configuration

This chapter provides a step-by-step configuration of the VTO, as well as how to register digital indoor monitors (hereinafter referred to as the "VTH") to the VTO to realize its intercom function. Follow the instructions below to get started.



- The snapshots are for reference only and slight differences might be found in the actual web page of the VTO, depending on your model.
- You can download the Config Tool and use it to configure and update multiple devices. For details, see the corresponding user's manual.

3.1 Initializing VTO

You can initialize the VTO on the web or through DMSS app, depending on which network connection your model support.

3.1.1 Web

For the first time login, you could initialize the VTO on the web if the VTO you use supports wired network function.

Step 1 Power on the VTO.

Step 2 Go to the default IP address (192.168.1.108) of the VTO in the browser address bar, and then press the Enter key to go to the web page of the VTO.



- The username is admin by default.
- Make sure that the IP address of the computer is on the same network segment as the VTO.

Step 3 On the **Device Init** page, enter and confirm the password, and then click **Next**.



The password must consist of 8–32 non-blank characters and contain at least two types of the following characters: Uppercase, lowercase, numbers, and special characters (excluding ' " ; : &).

Figure 3-1 Device initialization

The screenshot shows a dark-themed window titled "Device Init" with a close button (X) in the top right corner. At the top, a progress indicator shows three steps: "1 One" (highlighted in blue), "2 Two", and "3 Three". Below this, the "Username" field contains "admin". The "Password" field is filled with dots. Below the password field are three buttons labeled "Low", "Middle", and "High". The "Confirm Password" field is also filled with dots. At the bottom center is a "Next" button.

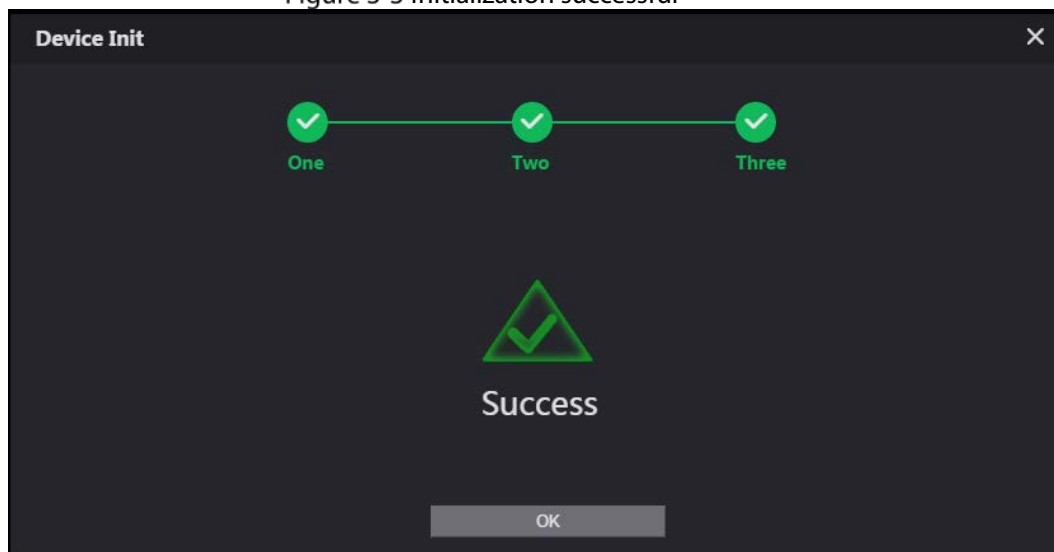
- Step 4** Select the **Email** checkbox and enter an email address.
This helps you to reset your password when your password is lost.

Figure 3-2 Set an email address

The screenshot shows the same "Device Init" window. The progress indicator now shows "1 One" with a green checkmark, "2 Two" (highlighted in blue), and "3 Three". The "Email" field contains a masked address and has an unchecked checkbox to its right. Below the email field is a red error message: "(To reset password, please input property or update in time)". The "Next" button is at the bottom center.

- Step 5** Click **Next**.

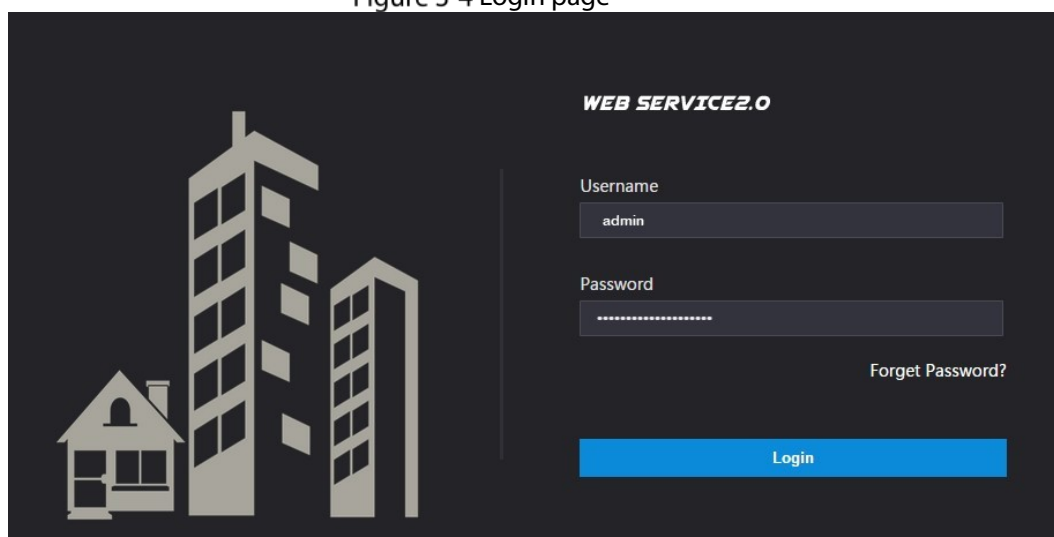
Figure 3-3 Initialization successful



Step 6 Click **OK**.

Enter the username (admin by default) and the new password to log in to the web page.

Figure 3-4 Login page



3.1.2 DMSS APP

If your VTO model only supports Wi-Fi connection to the network, you can only initialize the VTO on the DMSS app. For detailed operation of the app, refer to its user's manual.

Prerequisites

You have downloaded the DMSS in the APP Store (iOS) or Google Play (Android), and have created an account and logged in to the app.

Operations

Step 1 Power on the VTO.

Step 2 Enable hotspot on the VTO through pressing and holding the call button on the VTO until you heard the voice prompt.

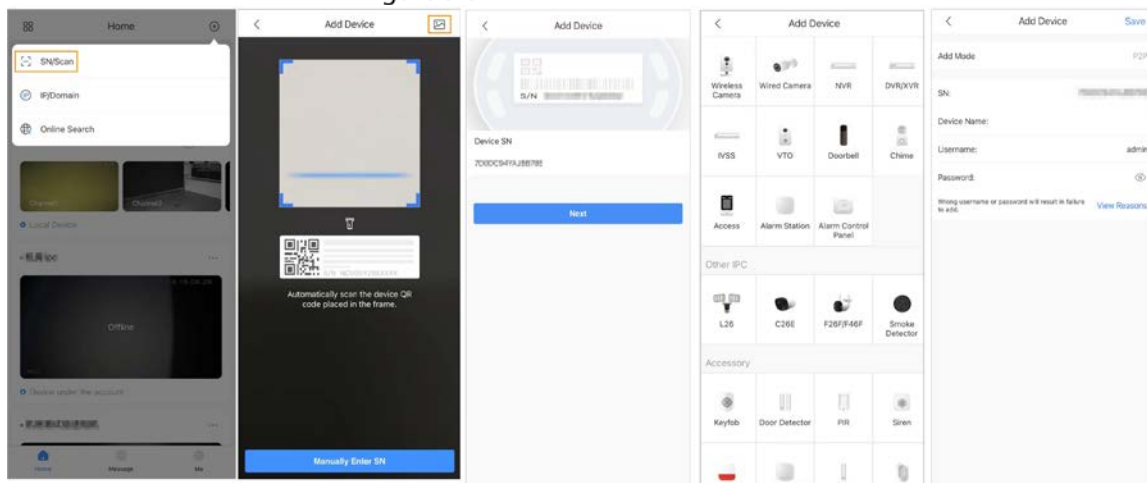


The hotspot function is to enable you connect the VTO to the network through **AP configuration** on the app.

Step 3 Add the VTO to the DMSS app.

- 1) On the **Home** screen, tap **+**, and then select **SN/Scan**.
- 2) Add a VTO.
You can add through scanning the QR code at the rear panel of the VTO.
- 3) The SN number of the VTO appears automatically, and then tap **Next**.
- 4) Select device type as **VTO**, and then the device information appears.
- 5) Tap **View Reasons**.

Figure 3-5 Add VTO to DMSS

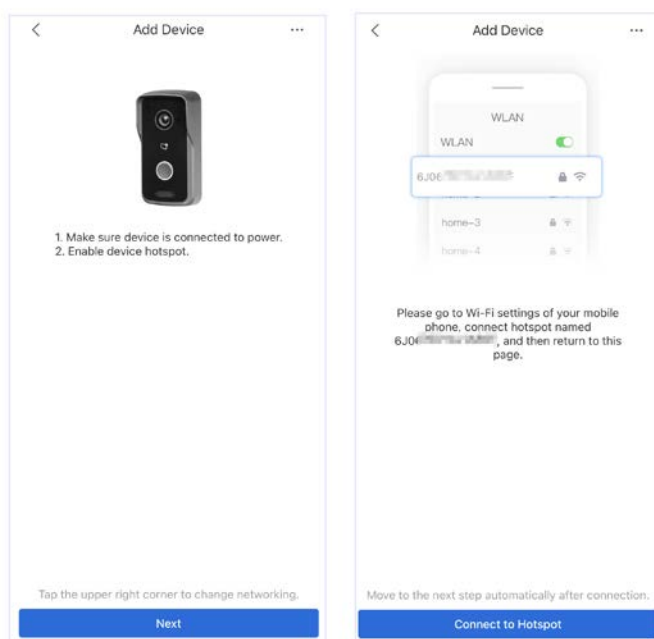


- 6) Configure network by switch networking to **AP Configuration**, and then tap **Next**.
- 7) Connect your phone to the hotspot you just enabled on the VTO.



- The hotspot name is the SN number of your VTO.
- The current screen will move on to the next step automatically after connection.

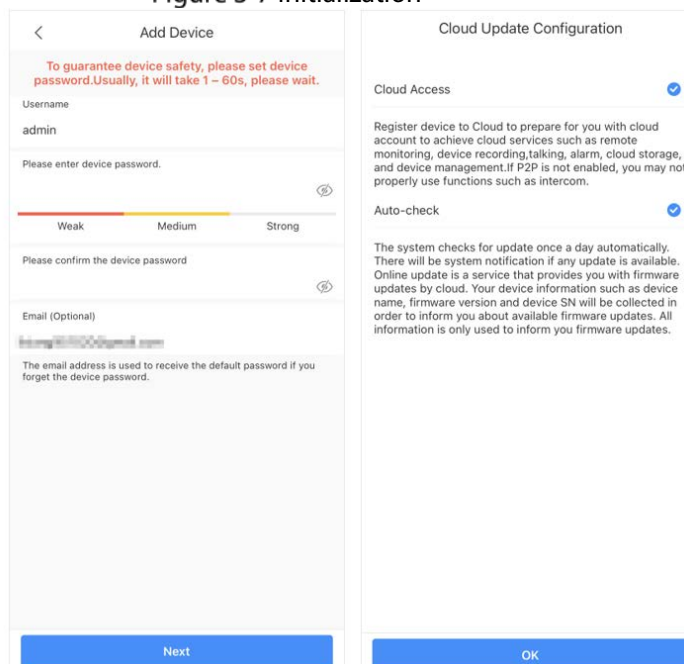
Figure 3-6 AP configuration



Step 4 Complete initialization based on instructions on the app.

- 1) Enter the password you planned for the VTO, and confirm it, and then tap **Next**.
 - 2) Select **Cloud Access** and **Auto-check**, and then tap **OK**.
- The initialization process is completed.

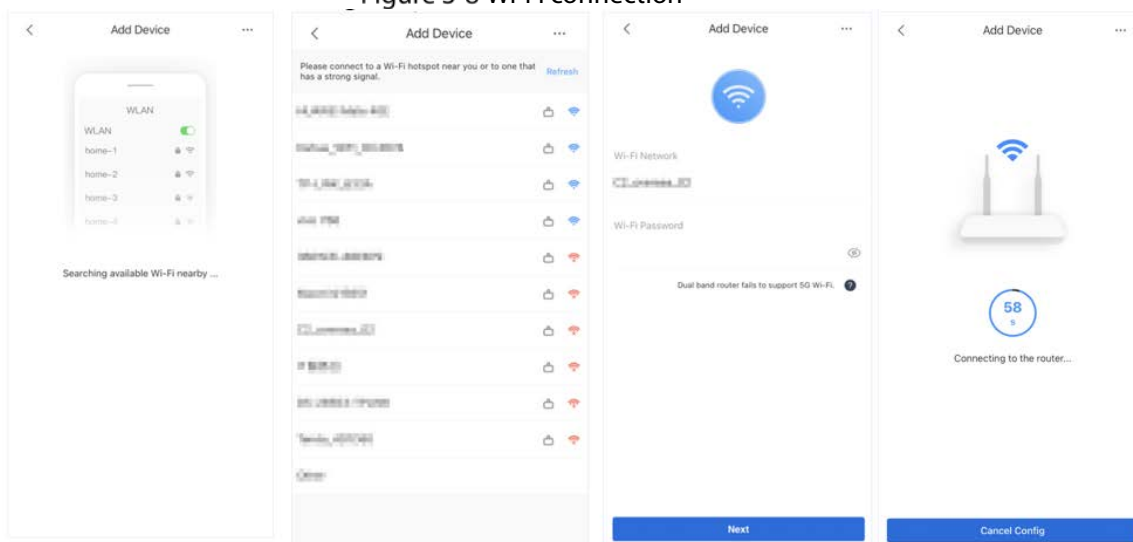
Figure 3-7 Initialization



Step 5 Connect the VTO to the network through Wi-Fi.

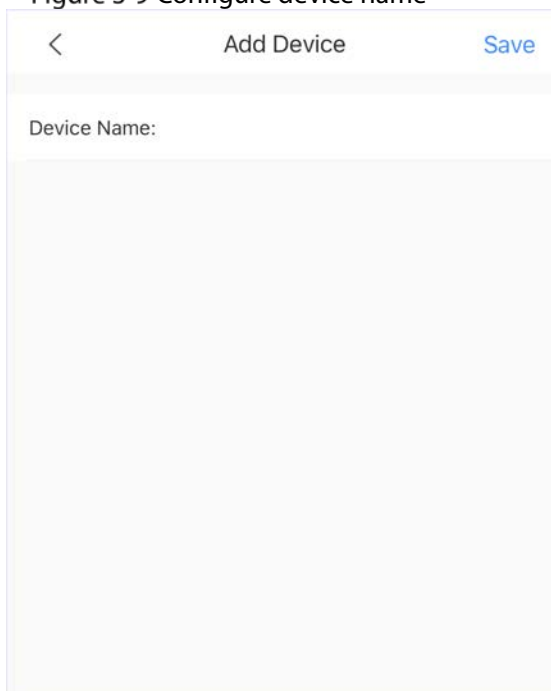
- 1) Select an available Wi-Fi.
- 2) Enter the password and tap **Next**. Wait for the VTO to connect to the router.

Figure 3-8 Wi-Fi connection



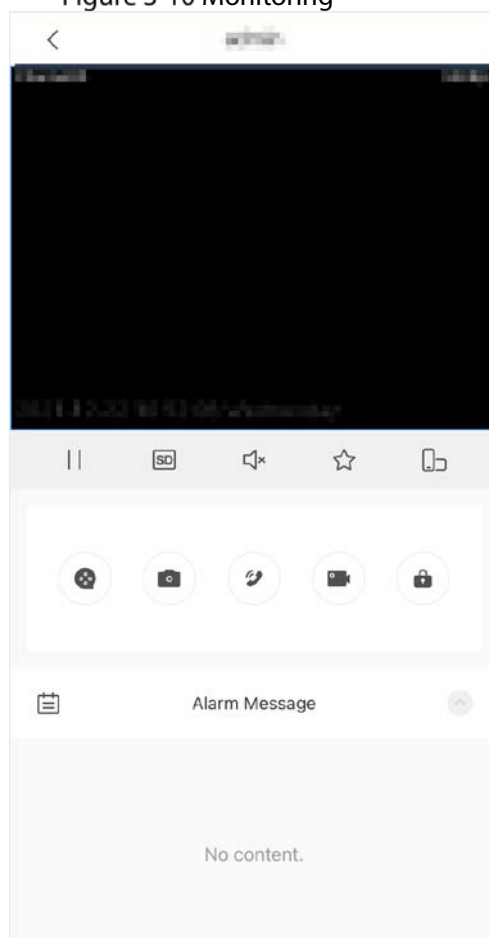
Step 6 Configure device name and tap **Save**.

Figure 3-9 Configure device name



Step 7 View monitoring video from the camera on the VTO.

Figure 3-10 Monitoring



3.2 Configuring Network Parameters

You need to configure the TCP/IP information to connect the VTO to the network. The descriptions below are for models with a Wireless LAN card. A Wireless LAN device is optional.

Wireless LAN

Step 1 Log in to the web page of the VTO.

Step 2 Select **Network > Basic**.

Step 3 Configure the TCP/IP parameters in the **WLAN** section.

LAN

Step 1 Log in to the web page of the VTO.


Step 2 Select **Network > Basic**.

Step 3 Configure the TCP/IP parameters in the **LAN** section.

Figure 3-11 Network configuration



Table 3-1 Parameter description

Parameter	Description
IP Address	Your planned IP address of the VTO.
Preferred DNS	It is 8.8.8.8 by default.
Alternate DNS	It is 8.8.4.4 by default.
Transmission Mode	<p>Choose the transmission mode based on your actual needs.</p> <ul style="list-style-type: none"> Mode 1: Multicast streaming (UDP). Mode 2: RTSP streaming (TCP). <p> Mode 2 is preferred when the switch does not support multicast function, or when the network connection is not good.</p>
DHCP	Enable the function to get the allocated IP address for the VTO.

3.3 Configuring SIP Servers

When connected to the same SIP server, VTOs and VTHs can call each other. You can use a VTO or a platform as the SIP server. We recommend you use a VTO as the SIP server in the villa scenario.

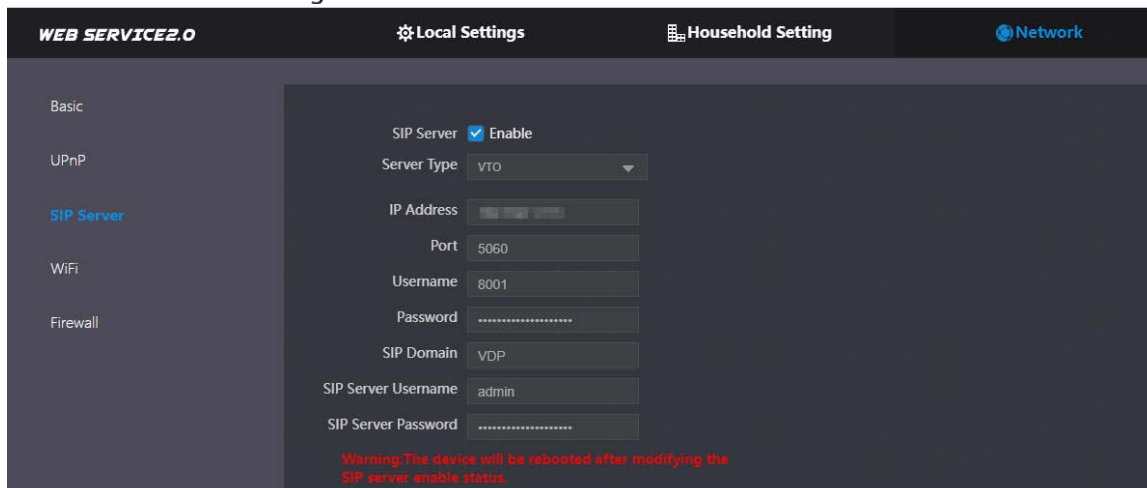
Step 1 Log in to the web page of the VTO.

Step 2 Select **Network > SIP Server**.

Step 3 Configure the parameters.

- 1) If the current VTO you have logged into works as the SIP server, **enable SIP Server**, and keep the default values of other parameters.

Figure 3-12 Current VTO as the SIP server



- 2) If other VTOs work as the SIP server, set **Server Type** as **VTO**, and then configure the parameters.



Do not enable **SIP Server**, otherwise the connection fails.

Figure 3-13 Other VTOs as the SIP server

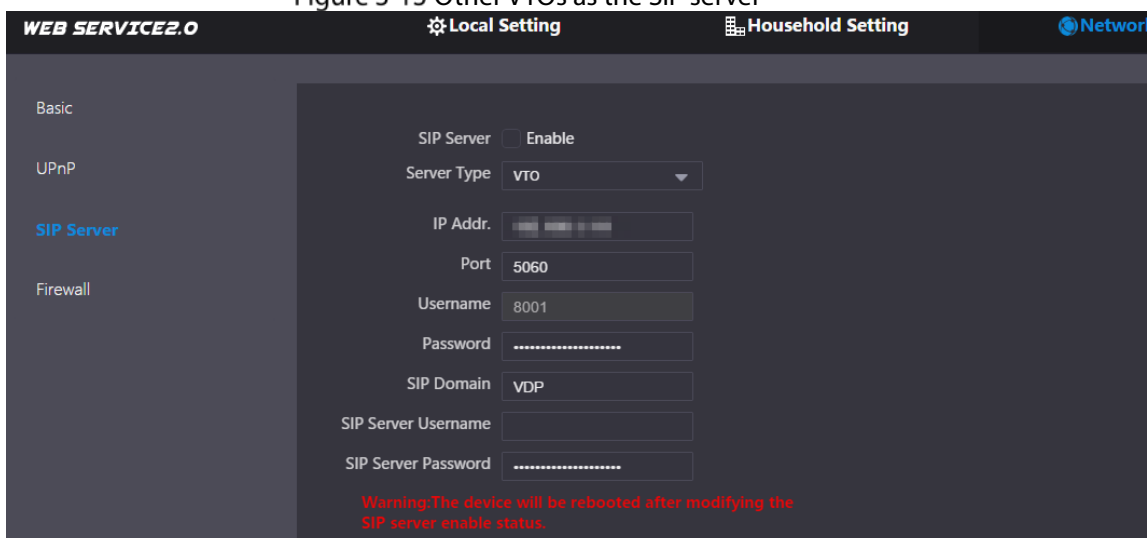


Table 3-2 Parameter description

Parameter	Description
IP Address	The IP address that you planned for the VTO.
Port	5060 by default when a VTO works as SIP server.
SIP Domain	Leave it as default.
Username/Password	Used to log in to the web page of the VTO.
SIP Server Username/ Password	Used to log in to the SIP server.

3.4 Configuring VTO Numbers

Numbers can be used to distinguish each VTO. In the villa scenario, we recommend you configure the VTO numbers based on your needs.

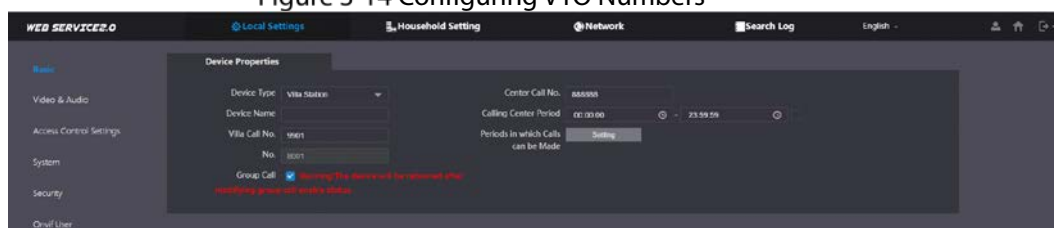
Background Information

- The VTO number can contain up to 5 numbers, and it must not be the same as other room number you have already configured.
- If a VTO serves as the SIP server, its room number is 8001 by default. You cannot change it.

Procedure

- Step 1** Log in to the web page of the VTO.
- Step 2** Select **Local Settings > Basic**.
- Step 3** Enter the room number you planned for the VTO in **No.**, and then click **Confirm**.

Figure 3-14 Configuring VTO Numbers

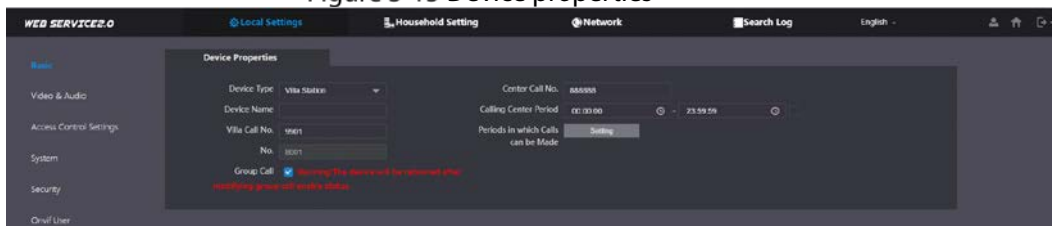


3.5 Configuring Call Numbers and Group Call

Configure basic properties for the VTO, including group call functions, center call number and villa call numbers.


- Step 1** Log in to the web page of the VTO.
- Step 2** Select **Local Settings > Basic**.

Figure 3-15 Device properties



Step 3 Configure the parameters.

Table 3-3 Parameter description

Parameter	Description
Device Type	Villa Station.
Device Name	The name you planned for your VTO. You could keep it null.
Villa Call No.	Used to call VTHs. It should contain no more than 9 numbers.
Center Call No.	Used to call the center station. It is 888888 by default.
No.	VTO number.  8001 by default when the VTO is selected to work as the SIP server.
Group Call	Enable it for group call.

Step 4 Click **Save**.

3.6 Adding VTOs

You can add other VTOs to the SIP server (in the Villa scenario a VTO serves as the SIP server), and all the VTOs connected to the same SIP server can make video call to each other.

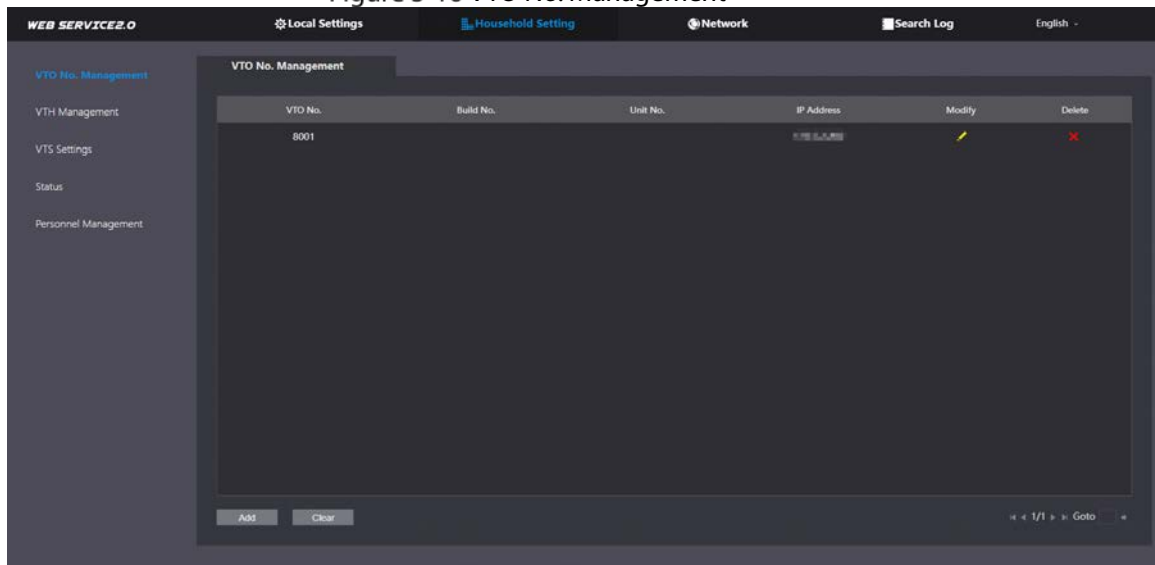
Prerequisites

Before you start, make sure that you have already select a VTO to work as the SIP server (VTO number 8001).

Procedure

- Step 1** Log in to the web page of the VTO that works as the SIP server.
- Step 2** Select **Household Setting > VTO No. Management**.
- Step 3** Select **Add**.

Figure 3-16 VTO No. Management



Step 4 Configure the parameters.

Figure 3-17 Add VTOs

Table 3-4 Parameters

Parameter	Description
Rec No.	The room number of the VTO.
Register Password	Keep it by default.
Build No.	Keep them null when the VTO serves as the SIP server. The two parameters are only applicable when the platform works as the SIP server.
Unit No.	
IP Address	IP address of the VTO.
Username	The username and password used to log in to the web page of the VTO.
Password	

3.7 Adding VTH Room Number

When VTO serves as the SIP server, you can add VTH into the main VTO to achieve intercom functions.

Step 1 Log in to the web page of the VTO.

Step 2 Select **Household Setting > VTH Management**.

Figure 3-18 VTH Management



Step 3 Select **Add** to register new VTH onto the main VTO.

Figure 3-19 Add VTH

Add [X]

First Name

Last Name

Nick Name

Room No. *

Registration Mode ▼

Registration Password ▼ *

[Save] [Cancel]

Step 4 Configure the parameters.

Table 3-5 Description

Parameters	Description
First Name	Information used to differentiate each room. You can also keep them null.
Last Name	
Nick Name	

Parameters	Description
Room No.	<ul style="list-style-type: none"> The room number can contain 6 digits of numbers or letters or their combination at most, and it cannot be the same as any VTO number. When there are multiple VTHs, the room number for the main VTH should end with #0 and the room numbers for extension VTHs with #1, #2...
Registration Mode	Select Public .
Registration Password	Leave it as default.

Step 5 Click **Save**.

Related Operations

Click  to modify room information, and  to delete the room.

3.8 Binding VTH Room Numbers (For Certain Models Only)

This section only applies to the VTOs that with multiple buttons.

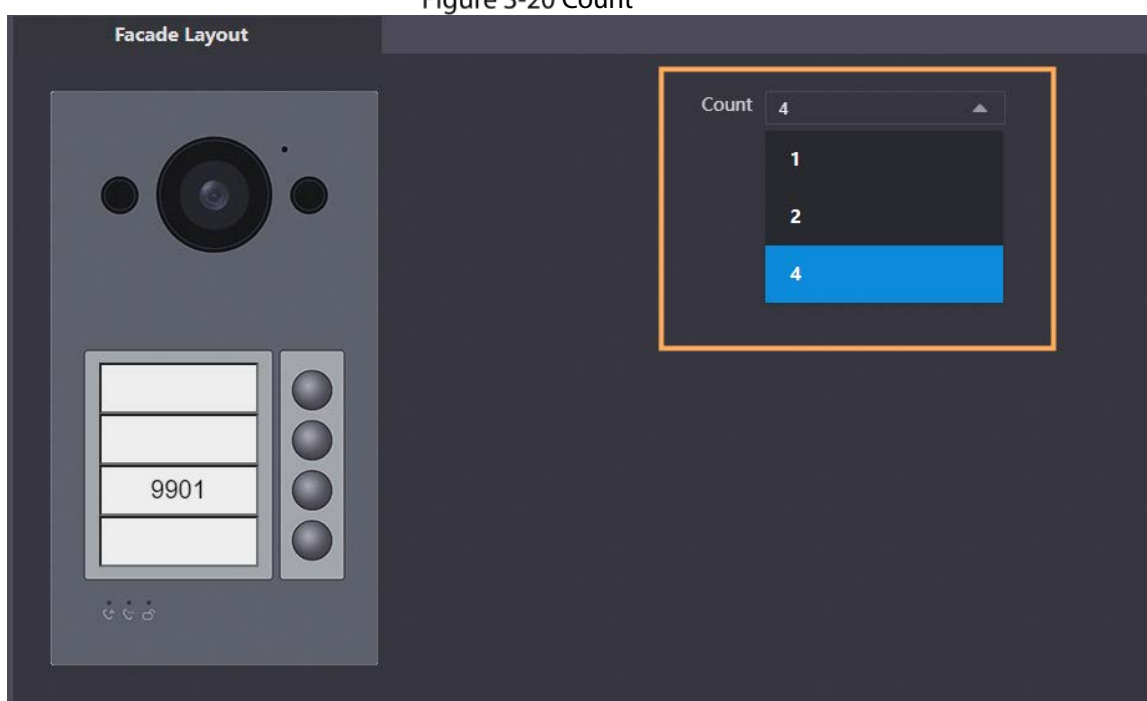
Step 1 Log in to the web page of the VTO.

Step 2 Select **Local Settings > Basic**.

Step 3 In the **Façade Layout** section, select **Count** type.

- Count 1: Can only bind one room number.
- Count 2: Can bind two room numbers.
- Count 4: Can bind four room numbers.

Figure 3-20 Count



Step 4 Click on the white module, and select the room number from the **Room List** you want to bind.

Figure 3-21 White module

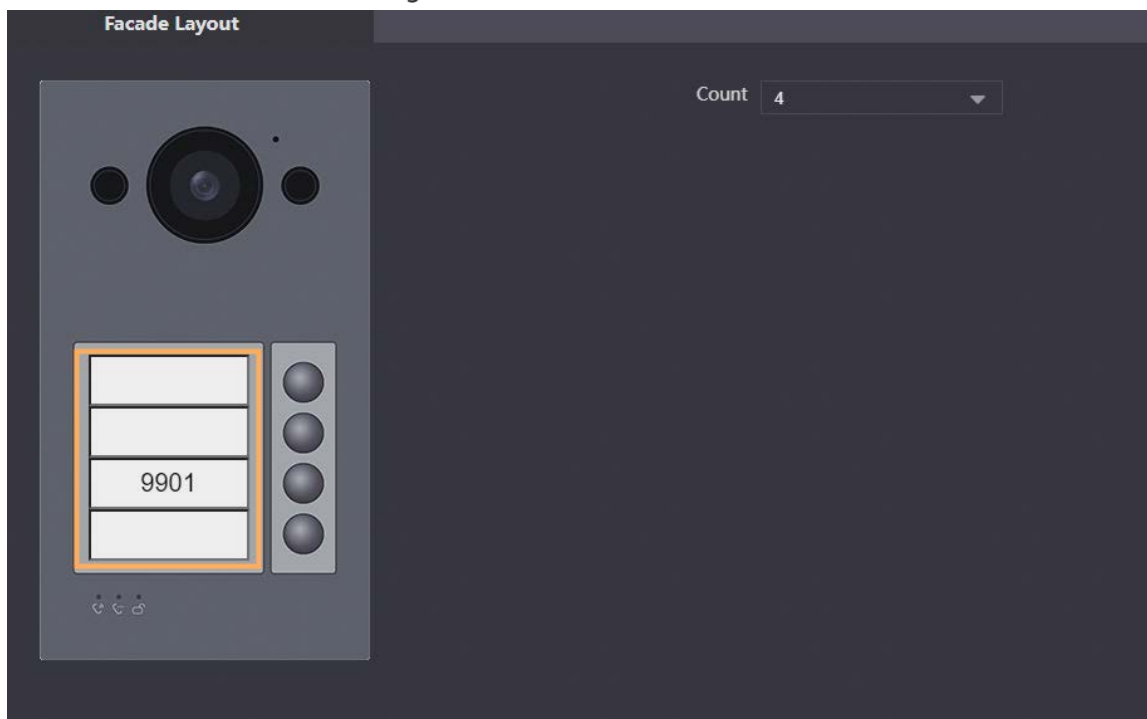
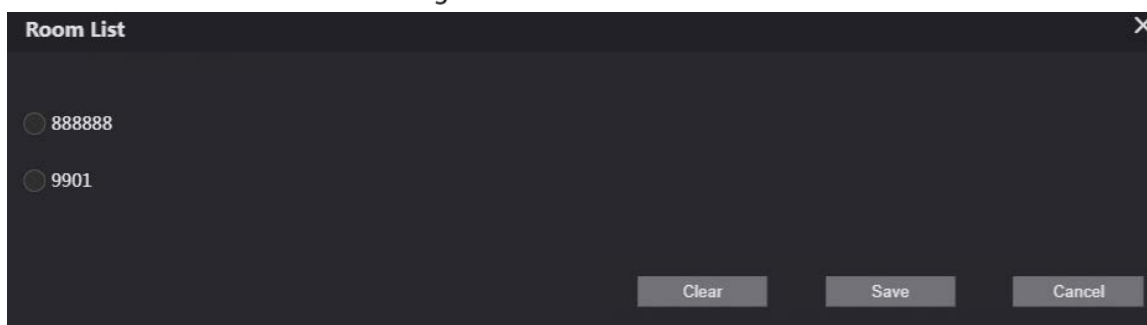


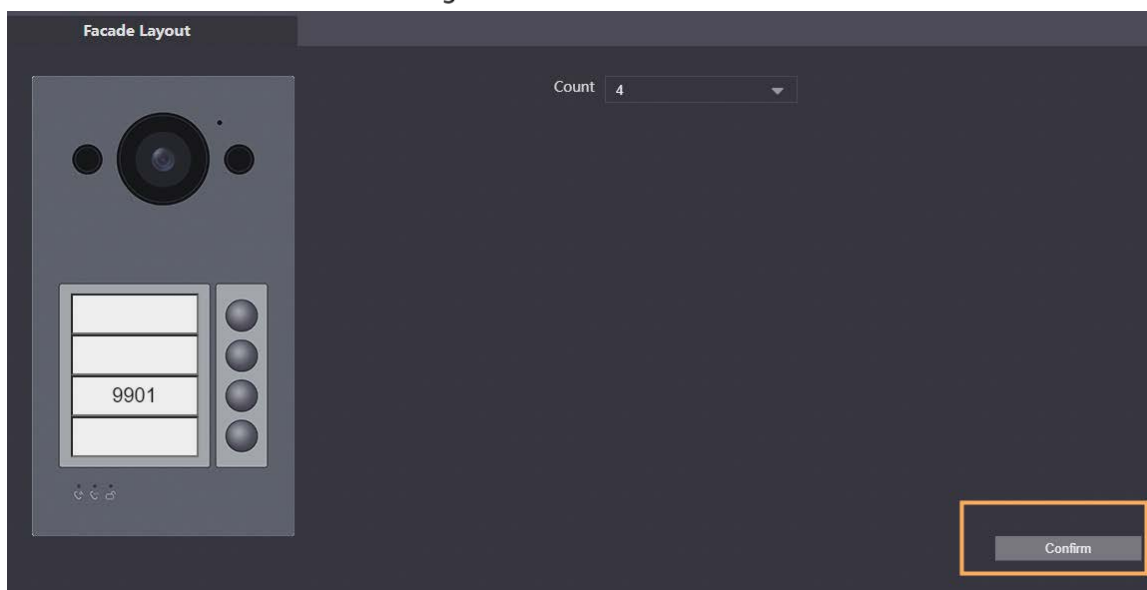
Figure 3-22 Room list



Step 5 Click **Save** to save the selected room number.

Step 6 Click **Confirm** to save all the settings.

Figure 3-23 Confirm



3.9 Issuing Cards

Issue an access card to unlock the door of a room.

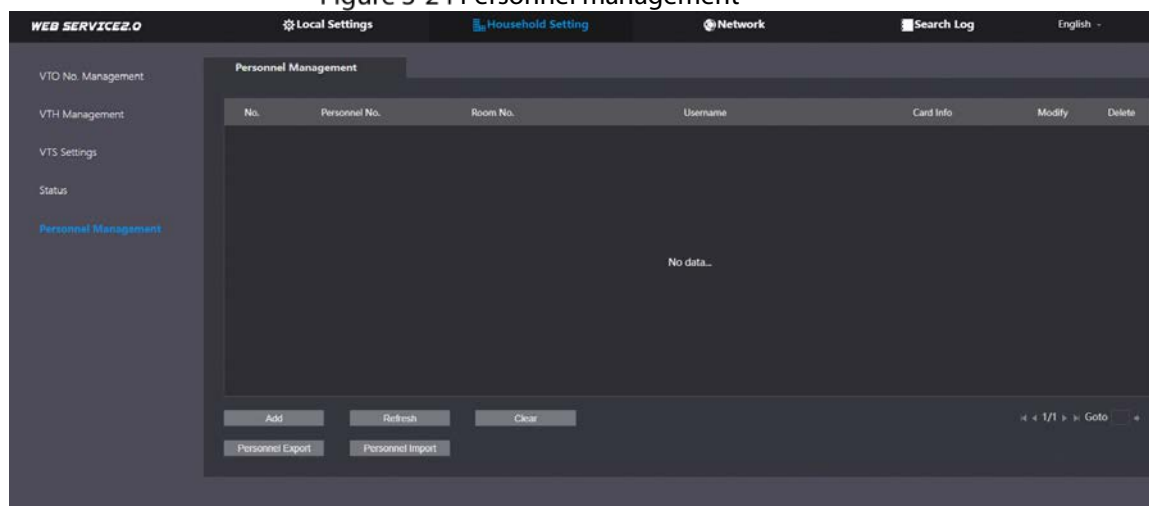


To use this function, the VTO must have a card reader.

Step 1 Log in to the web page of the VTO.

Step 2 Select **Household Setting** > **Personnel Management**.

Figure 3-24 Personnel management



Step 3 Click **Add**.

Figure 3-25 Add Personnel Information

Step 4 Enter the parameters, and then click **Save**.


- Lock1: local lock.
- Lock 2: 485 lock.



Only models that have 485 ports support 2 types of locks.

Figure 3-26 Operation succeed

No.	Personnel No.	Room No.	Username	Card Info	QR Code	Modify	Delete
1	11	22	222				

Step 5 Select  to go to the card issuing window.



For some VTO models, the QR code is embedded in the **Personnel Management** page. Yet for some models, you need to go to **Network > Basic > Cloud Service** to check the QR code.

Figure 3-27 Card issuing window

No.	Card No.	Name	Modify	Delete
No data...				

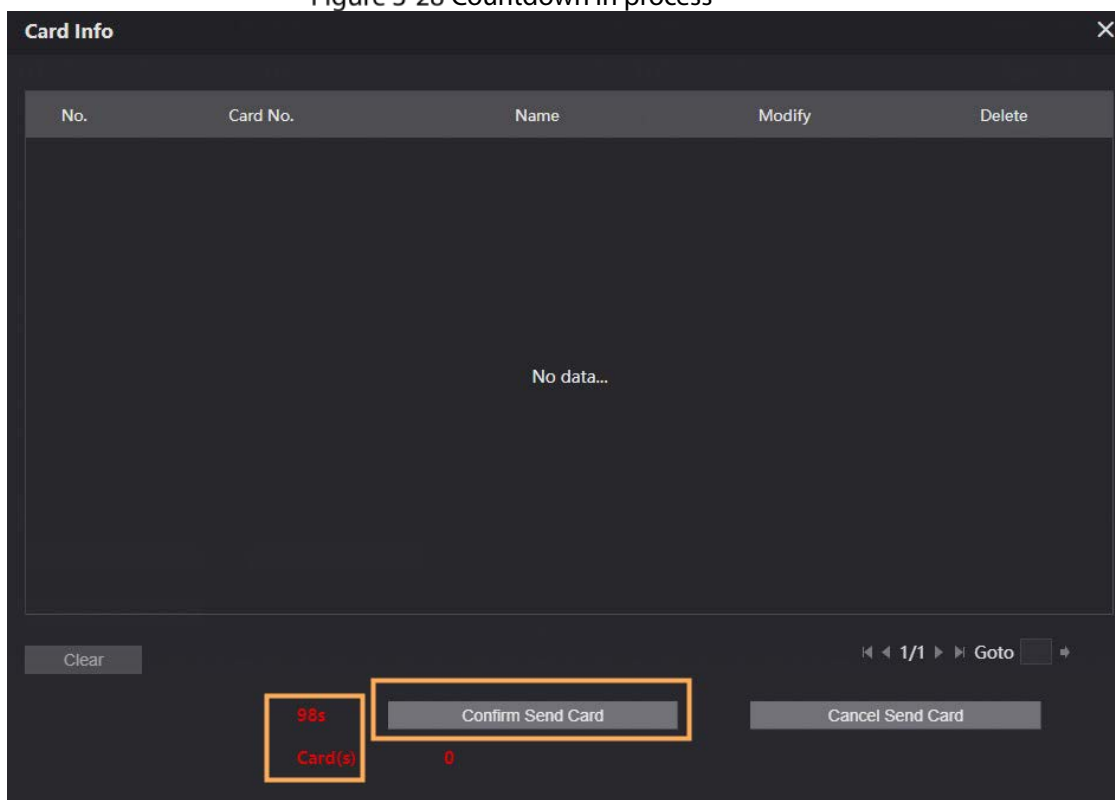
Clear 1/1 Goto

Issue Card

Step 6 Click **Issue Card** to issue cards.

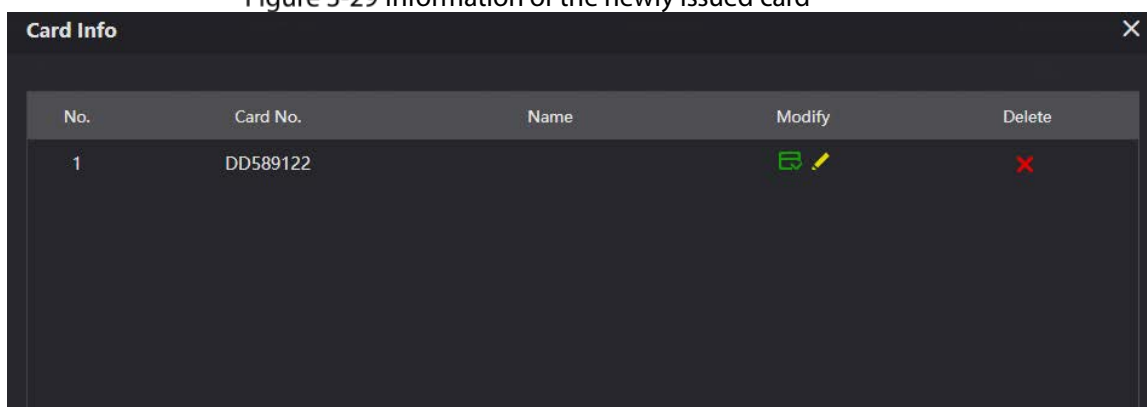
Step 7 The web page displays the countdown prompt (120 s). Once the countdown starts, you need to swipe the card on the card reader of the VTO within this time period. After the swiping, the card number will be automatically recognized by the VTO.

Figure 3-28 Countdown in process



Step 8 Click **Confirm Send Card** after swiping to complete the issuing process.

Figure 3-29 Information of the newly issued card



Other Operations

- Click to set it to loss, and then the icon changes to . The lost card cannot be used to open the door.
- Click or to modify the username or delete the card.

4 Commissioning

After the basic configuration is complete, check whether the intercom communication works.

4.1 VTO Calling VTH

Once the VTO and VTH are connected, the dual communication function is enabled.

Step 1 Dial a room number (for example, 9901) on the VTO.


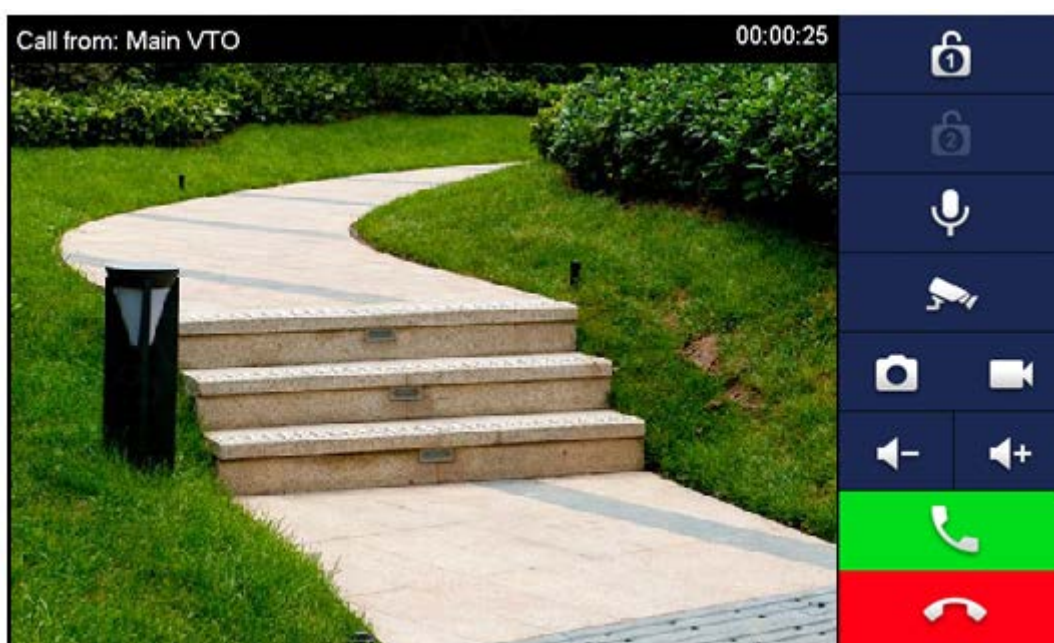
Step 2 Tap  to answer the call on the VTH.

Figure 4-1 Call screen



4.2 VTH Monitoring VTO

A VTH can monitor the VTO.

Step 1 On the home screen of the VTH, select **Monitor > Door**.

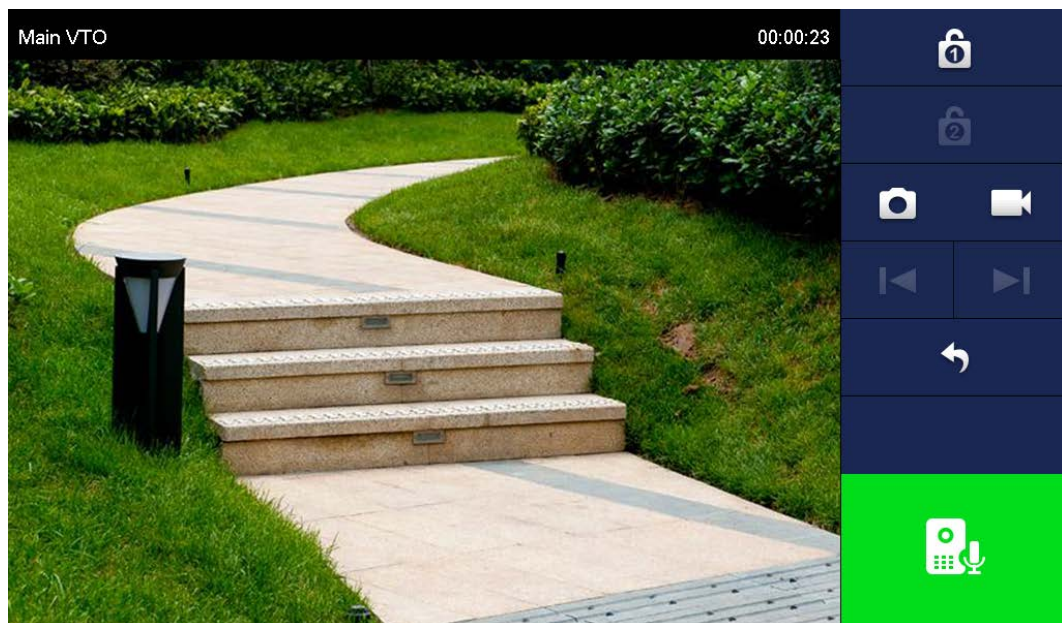
Step 2 Set the VTO to go to the monitoring screen.

Step 3 Tap the icon to view the video.

Figure 4-2 Door



Figure 4-3 Monitoring



Appendix 1 Cybersecurity Recommendations

Mandatory actions to be taken for basic equipment network security:

1. Use Strong Passwords

Please refer to the following suggestions to set passwords:

- The length should not be less than 8 characters.
- Include at least two types of characters; character types include upper and lower case letters, numbers and symbols.
- Do not contain the account name or the account name in reverse order.
- Do not use continuous characters, such as 123, abc, etc.
- Do not use overlapped characters, such as 111, aaa, etc.

2. Update Firmware and Client Software in Time

- According to the standard procedure in Tech-industry, we recommend to keep your equipment (such as NVR, DVR, IP camera, etc.) firmware up-to-date to ensure the system is equipped with the latest security patches and fixes. When the equipment is connected to the public network, it is recommended to enable the "auto-check for updates" function to obtain timely information of firmware updates released by the manufacturer.
- We suggest that you download and use the latest version of client software.

"Nice to have" recommendations to improve your equipment network security:

1. Physical Protection

We suggest that you perform physical protection to equipment, especially storage devices. For example, place the equipment in a special computer room and cabinet, and implement well-done access control permission and key management to prevent unauthorized personnel from carrying out physical contacts such as damaging hardware, unauthorized connection of removable equipment (such as USB flash disk, serial port), etc.

2. Change Passwords Regularly

We suggest that you change passwords regularly to reduce the risk of being guessed or cracked.

3. Set and Update Passwords Reset Information Timely

The device supports password reset function. Please set up related information for password reset in time, including the end user's mailbox and password protection questions. If the information changes, please modify it in time. When setting password protection questions, it is suggested not to use those that can be easily guessed.

4. Enable Account Lock

The account lock feature is enabled by default, and we recommend you to keep it on to guarantee the account security. If an attacker attempts to log in with the wrong password several times, the corresponding account and the source IP address will be locked.

5. Change Default HTTP and Other Service Ports

We suggest you to change default HTTP and other service ports into any set of numbers between 1024–65535, reducing the risk of outsiders being able to guess which ports you are using.

6. Enable HTTPS

We suggest you to enable HTTPS, so that you visit Web service through a secure communication channel.

7. MAC Address Binding

We recommend you to bind the IP and MAC address of the gateway to the equipment, thus reducing the risk of ARP spoofing.

8. **Assign Accounts and Privileges Reasonably**

According to business and management requirements, reasonably add users and assign a minimum set of permissions to them.

9. **Disable Unnecessary Services and Choose Secure Modes**

If not needed, it is recommended to turn off some services such as SNMP, SMTP, UPnP, etc., to reduce risks.

If necessary, it is highly recommended that you use safe modes, including but not limited to the following services:

- SNMP: Choose SNMP v3, and set up strong encryption passwords and authentication passwords.
- SMTP: Choose TLS to access mailbox server.
- FTP: Choose SFTP, and set up strong passwords.
- AP hotspot: Choose WPA2-PSK encryption mode, and set up strong passwords.

10. **Audio and Video Encrypted Transmission**

If your audio and video data contents are very important or sensitive, we recommend that you use encrypted transmission function, to reduce the risk of audio and video data being stolen during transmission.

Reminder: encrypted transmission will cause some loss in transmission efficiency.

11. **Secure Auditing**

- Check online users: we suggest that you check online users regularly to see if the device is logged in without authorization.
- Check equipment log: By viewing the logs, you can know the IP addresses that were used to log in to your devices and their key operations.

12. **Network Log**

Due to the limited storage capacity of the equipment, the stored log is limited. If you need to save the log for a long time, it is recommended that you enable the network log function to ensure that the critical logs are synchronized to the network log server for tracing.

13. **Construct a Safe Network Environment**

In order to better ensure the safety of equipment and reduce potential cyber risks, we recommend:

- Disable the port mapping function of the router to avoid direct access to the intranet devices from external network.
- The network should be partitioned and isolated according to the actual network needs. If there are no communication requirements between two sub networks, it is suggested to use VLAN, network GAP and other technologies to partition the network, so as to achieve the network isolation effect.
- Establish the 802.1x access authentication system to reduce the risk of unauthorized access to private networks.
- Enable IP/MAC address filtering function to limit the range of hosts allowed to access the device.

