

GHOST 100

Electromechanical underground automation for swing gates
up to 3,5 m - 400 kg



Leaf opening up to 180° with art. 116GN

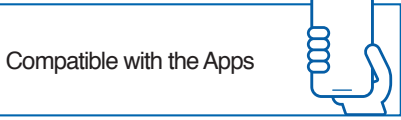


Standard foundation box with cataphoresis treatment
Foundation box also available in Stainless steel version

Integrated mechanical stops (standard)



NETLINK OPERATOR
This operator is compatible with the NETLINK System and can be programmed with DEAINstaller and NETBOX



230V ~ operators without control board, with mechanical stops



COD.	Art.			OTHER CHARACTERISTICS
621252	100/CL			• Underground operator with connection lever, mechanical stops and complete with 8m of cable
621253	100EN/CL		✓	• Underground operator with connection lever, mechanical stops, encoder and complete with 8m of cable

All models: foundation box not included. Mechanical limit switches included.

Control board to complete the installation: control board cod. 677610 art. NET230N/C (with box)

✓ For all models: cable L=8m

24V ~ operators without control board, with mechanical stops



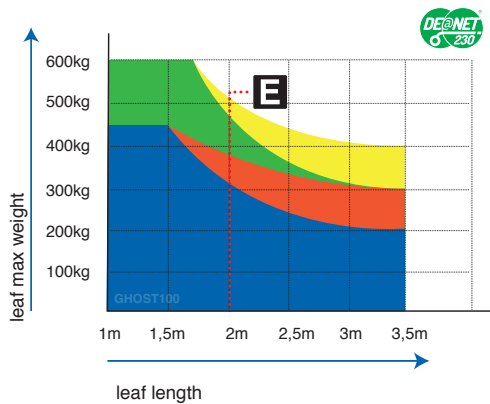
COD.	Art.		OTHER CHARACTERISTICS
621262	100/24CL		• Underground operator with connection lever, mechanical stops, encoder and complete with 8m of cable

All models: foundation box not included. Mechanical limit switches included.

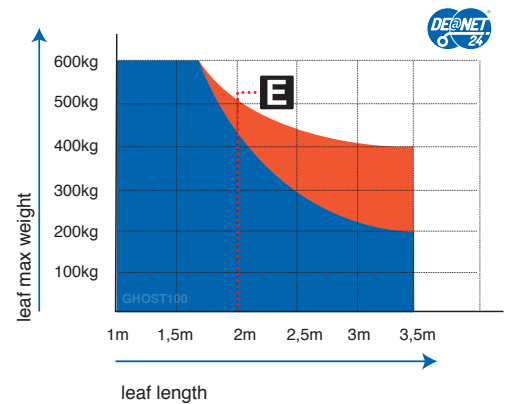
Control board to complete the installation: control board cod. 678261 art. NET24N/C (with box)

✓ For all models: cable L=8m

GUIDE TO USE



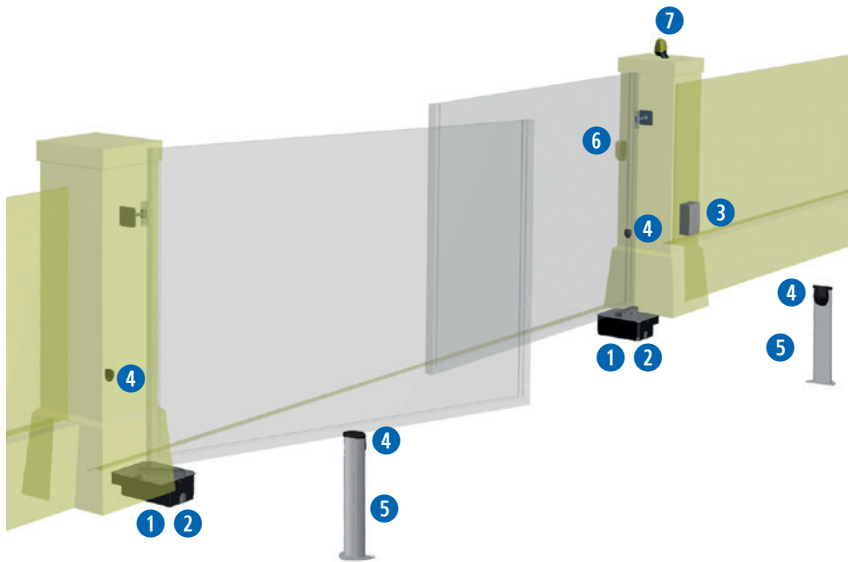
- = models with encoder and mechanical limit switches incorporated in the operator
- = models with encoder and mechanical stops on the ground
- = models with mechanical limit switches incorporated in the operator
- = models with mechanical stop on the ground



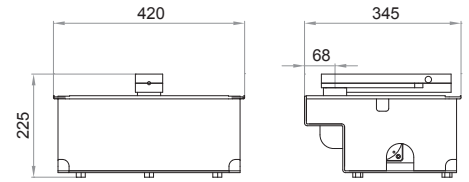
If the leaf length is bigger than 2m or if you use reversible models you must install the electric-lock to block the gate in closed position. The height and the leaf structure, as well as the presence of strong wind, can cause the reduction of the value of the data contained in table or make it necessary to use an electric lock also for leaves shorter than 2m.

TECHNICAL INFO	100/CL - 100EN/CL	100/24CL
Motor power supply (V)	230V ~ ± 10 % (50/60 Hz)	24V ~
Maximum power absorption (W)	250	50
Max torque (Nm)	250	200
Duty cycle (cycles/hours)	18 - 25 (vers. 100EN)	40
N. max cycles in 24h.	100	
Built-in capacitor (µF)	10	/
Operating temperature (°C)	-20 ÷ 50	
Motor thermal protection (°C)	150	/
90° Opening time (s)	16	14
Weight with packing (Kg)	11	
Sound pressure (dBA)	< 70	
Protection level	IP67	

EXAMPLE OF A TYPICAL INSTALLATION



DIMENSIONS



KIT

1

COD. 621253
Art. 100EN/CL
Electromechanical underground operator for swing gates

KIT

2

COD. 629000
Art. 215
Foundation box with cataphoresis treatment complete with gate support and unlocking device

KIT

3

COD. 677610
Art. NET230N/C
Universal digital control board for 1 or 2 operators, 230V with or without magnetic encoder (with box)

KIT

4

COD. 662080
Art. LINEAR/XS
Pair of mini synchronizable photoeye for outdoor installation. Maximum range 20m

5

COD. 664000
Art. PILLY/60
55cm column for photoeye (2 pcs)

6

COD. 663090
Art. GT-KEY
Metal vandal proof keyswitch with two contacts, surface mounted. Supplied with 2 keys.

KIT

7

COD. 661063
Art. AURA230
230V flashing light, LED, with integrated antenna, 433 MHz

KIT

COD. 672645
Art. GT14
Serialized white 4-channel remote control, 433 MHz, with 3 coding: HCS Rolling-Code, Dip-Switch and new D.A.R.T. coding

COD. 668010
Art. 127
Warning sign

KIT for further details on the kits see price list 2019

SPECIFIC ACCESSORIES

COD. 629000
Art. 215
Foundation box with cataphoresis treatment complete with gate support and unlocking device

COD. 629010
Art. 215I
Stainless steel foundation box complete with unlocking mechanism

COD. 629022
Art. 116G/N
Device to be fixed to art. 215 e art. 215I to obtain an opening angle of 180°

COD. 629391
Art. KIT ADAB
Adapter set for other foundation boxes dim. 410x330x145 mm

COD. 629392
Art. KIT ADA 115/C
Adapter set for foundation box art. 115, art. 115I