



Security Trade Products

Tel: 01763 848209

[www.securitytradeproducts.co.uk](http://www.securitytradeproducts.co.uk)

## STP-NT200SS

### Surface mount infrared exit device with stainless steel shroud



Touchless proximity switch, activated by close proximity of the hand. No need to touch making it ideal for clean environments.

#### Features

- Illuminated halo normally red, going green when activated
- Infrared proximity sensor
- Single gang stainless steel back-plate, screen printed 'DOOR RELEASE'
- Adjustable proximity range
- Adjustable door-open period (0.5-20s) or toggle mode
- Flush mount
- IP65 (sensor unit only)

#### Technical Information

- Voltage: 12-24Vdc
- Current draw: 45mA max
- Relay: COM/NO/NC contacts
- Operating temperature: -10°C to +70°C
- Dimensions: 85mm x 85mm x 25mm

#### Related Products

STP-SPB/SS



STP-NT100



STP-CP3-LSRC



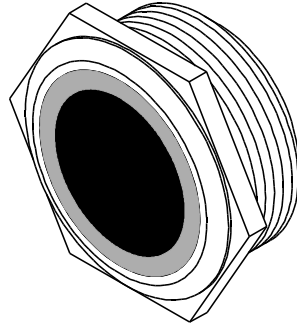
STP-SPB004F



Enquiries: [sales@securitytradeproducts.co.uk](mailto:sales@securitytradeproducts.co.uk)

# STP-NT200 Infrared Touchless Sensor Operation And Installation Manual

Suitable for access control system , push button and  
auto-control detection



## I.Features :

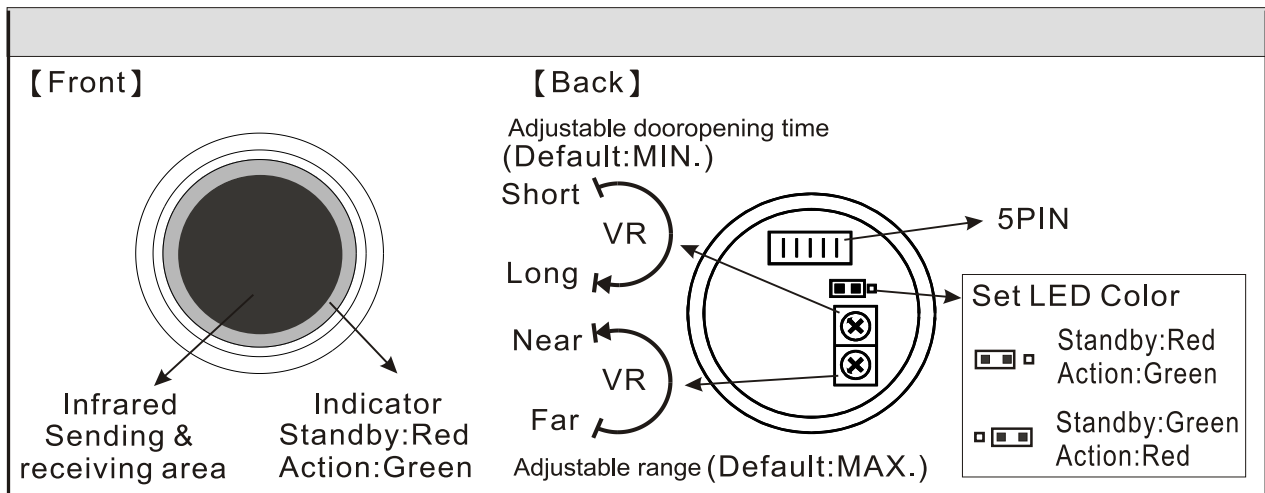
- Diameter of 19mm ,22 mm or 38mm to accommodate and mount in different panels.
- Activate without pressing to prevent any disease contagion. It is suitable for access control system that widely used in public areas such as hospitals or restaurants. It is also can be used as auto-control detection.
- Built-in microcontroller with power on self testing function.
- Specially designed to prevent any interference from other infra-red.
- Double color status light, adjustable proximity range.
- Door opening time is able to set trigger state (0.5~20sec) or toggle mode output
- Operating temperature : -10°C ~ +70°C.
- Sealing protection IP65.
- Infrared proximity has a total lifespan of 100,000 hours. Relay has a total lifespan of 1 000 000 times

## II.Specification:

		Note
<b>Power input</b>	DC12V~DC24V	±10%
<b>Range</b>	4~15CM(±25%)	Note1
<b>Output Loading</b>	1A@DC30V(Max.)	
<b>Output State</b>	Trigger state (0.5~20sec) or toggle mode output	
<b>Life Time</b>	Infrared sensor:100,000 hours / Relay mechanical lifespan:1000,000	
<b>Indicator</b>	Standby : RED ; Proximity : GREEN Color of indicator light is adjustable	
<b>Case</b>	Stainless Steel	
<b>Current Consumption</b>	Maximum current 45mA	DC 24V
<b>Dimensions</b>	∅ 38mm	
<b>Weight</b>	50g	

\*Note1: Different materials have different reflective rate. The value of the chart is based on the test of 18% neutral gray card.

## V. Panel and Wirings :



## VI.Example of wirings :

