

# Technical data sheet

## Junction box T 250, plug-in seal

Item no. 2007109



Junction box for the connection of cables and lines indoors and in protected outdoor areas. Rectangular design with plug-in seals to the sides and knock-out entries in the bottom. Suitable for wall and ceiling mounting, on mounting panels and threads in the floor. With the option to fasten inside and to mount via the corner domes. Cover with quick lock, sealable. Made from halogen-free materials. Junction box according to DIN EN 60670. Flame-resistant to DIN EN 60695/2/11, test temperature 650 °C. Impact resistance IK05 according to DIN EN 50102.



PP/GF Polypropylene, fibre-glass reinforced

Additional product text, instruction  
Standard version: flame-resistant, testing temperature 650 °C.  
F version: highly flame-resistant, testing temperature 960 °C.

### Master data

Item no.	2007109
Type	T 250
Description 1	Junction box
Description 2	with entries
Dimension	240x190x95
Colour	Light grey
RAL number	7035
Material	Polypropylene, fibre-glass reinforced
Material symbol	PP/GF
Smallest sales unit (VG)	1,00 Piece
Weight	50,00 kg/100 pc.

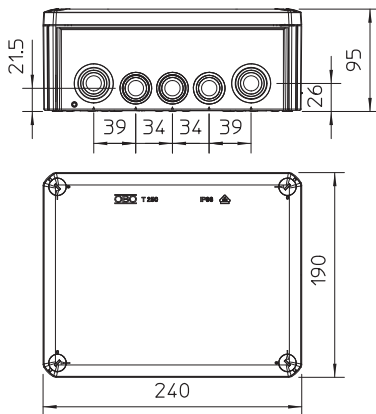
# Technical data sheet

## Junction box T 250, plug-in seal

Item no. 2007109



### Technical data



Length	240,00 mm
Width	190,00 mm
Height	95,00 mm
Clear internal dimensions	225x173x86 mm
Dimension LxWxH	240x190x95 mm
Dimension	240x190x95 mm
Expandable	<input checked="" type="checkbox"/>
No. of entries	16,00
Type of entry	Cable
Type of entry	Plug-in seal
Type of housing penetration	Cutttable stepped membrane
Version	Standard
Measured insulation voltage Vi	500,00 V
Equipment	Without
Cover	Not transparent
Cover fastening	Screwed
Entries	9 x M25 7 x M32
Entry from rear	<input checked="" type="checkbox"/>
Explosion-tested version	<input type="checkbox"/>
Flame resistant	Flame resistant to VDE 0471/DIN 695 Part 2-1, test temperature 650 °C
Shape	Rectangular
Function maintenance (ETIM)	Without
For Ex zone	Without
For Ex zone gas	Without
For Ex zone dust	Without
Fibre-glass reinforced	<input type="checkbox"/>
Halogen-free	<input checked="" type="checkbox"/>
With screening	<input type="checkbox"/>
with lid	With four lid quick-release locks
With cover	<input checked="" type="checkbox"/>
Installation type	Wall/ceiling mounting
Mounting type	Wall/ceiling mounting
Nominal cross section	25,00 mm <sup>2</sup>
Nominal voltage	500,00 V
Protection rating	IP66
Protection rating	IP66
Protection rating IK code	IK05.
Sealable	<input checked="" type="checkbox"/>
max. permitted ambient temperature	-5,00 - 60,00 °C
Transparent lid	<input type="checkbox"/>
Weatherproof	<input type="checkbox"/>